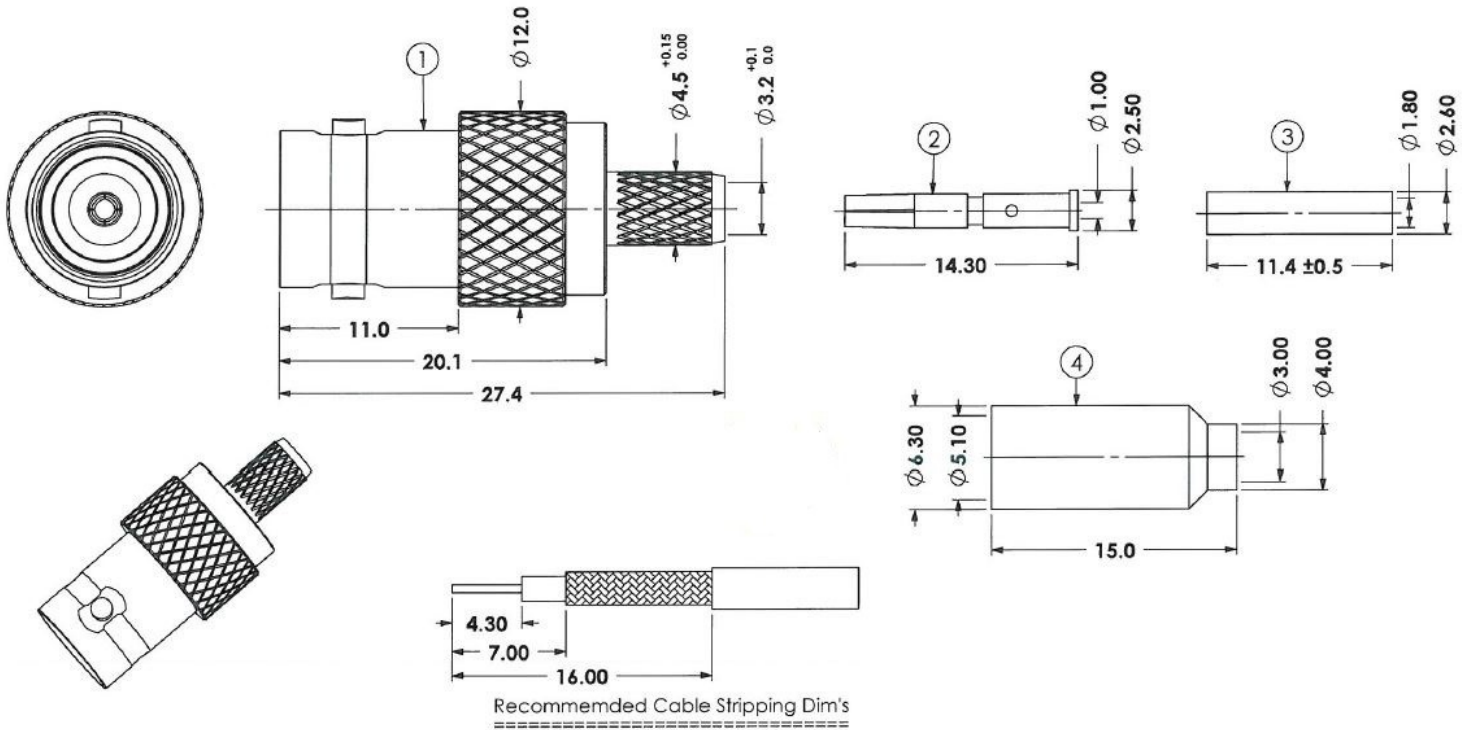



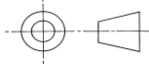
❖ ELECTRICAL SPECIFICATION

PARAMETER	VALUE	UNIT
Frequency Range	0 – 3	GHz
Impedance	50	Ω
Working Voltage, max	350	Vrms
Dielectric Withstanding Voltage	750	Vrms

❖ DIMENSIONS



Item	Description	Material	Finished
1	Body	Brass	Nickel
	Insulator	Delrin	Natural
	Washer	Brass	Nickel
2	Contact	Phosphor Bronze	Gold Flash
3	Bushing	PE	Natural
4	Ferrule	Brass	Nickel

					 A RAM TECHNOLOGY Company			
Rev	Change	Date	Name				Description BNC STRAIGHT JACK CRIMP FOR RG174, 316 CABLE	
Projection		Scale	Date	Name				
 Dimensions in mm		--	Drawn	11.15.2018	AR	Part Number RCN-3F-370003A-K-001		
			Checked	11.15.2018	CP			
			Approved	11.15.2018	CP		A	