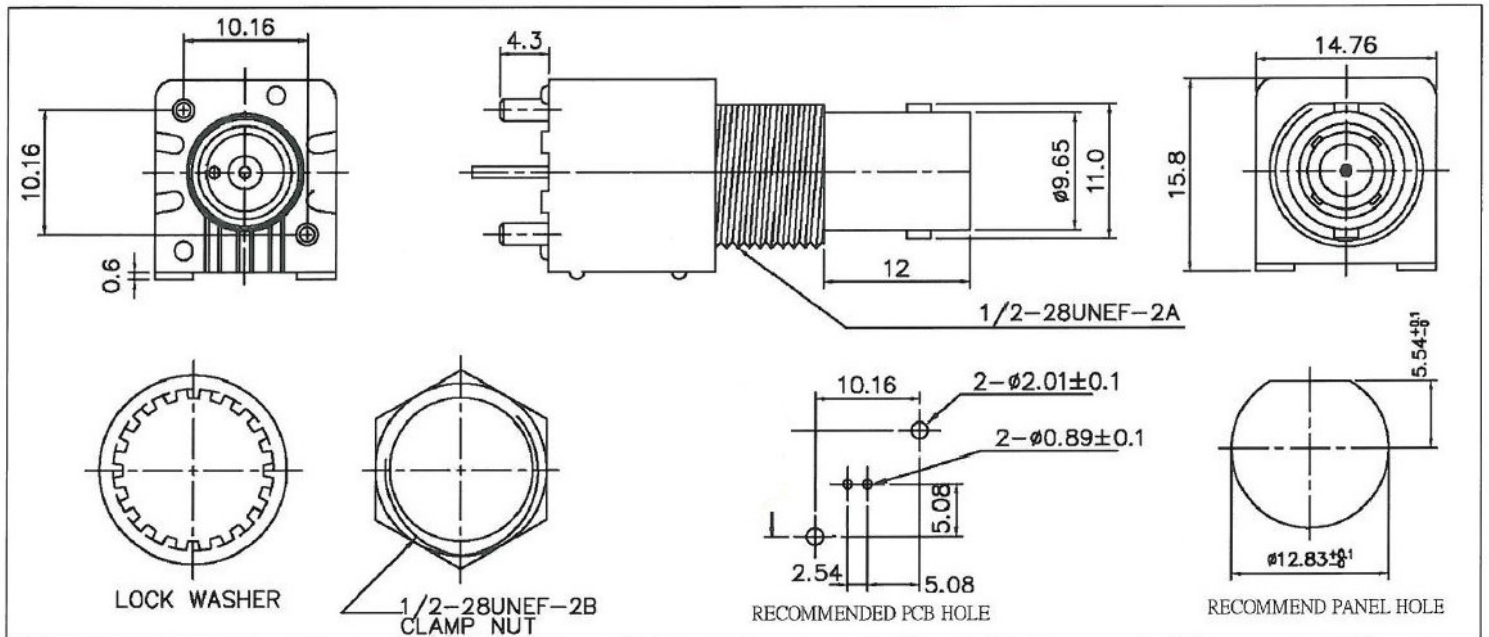




❖ DIMENSIONS



Description	Material	Finished
Center Contact	Bronze	Gold
Housing	PBT (94 V-0)	White
Body	Zinc Alloy	Nickel
Insulator	P.E -606	None
Mounting Post	Iron	Tin
Solder Tail	Copper Wire	Tin
Washer	Steel	Nickel
Nut	Brass	Nickel

				 <small>A RAM TECHNOLOGY Company</small>	
Rev	Change	Date	Name	Description <b>BNC VERTICAL PCB/PANEL MOUNT JACK</b>	
Projection		Date	Name		
Scale		Drawn	11.15.2018	AR	Part Number <b>RCN-3F-14814-K-001</b>
 Dimensions in mm		Checked	11.15.2018	CP	
		Approved	11.15.2018	CP	