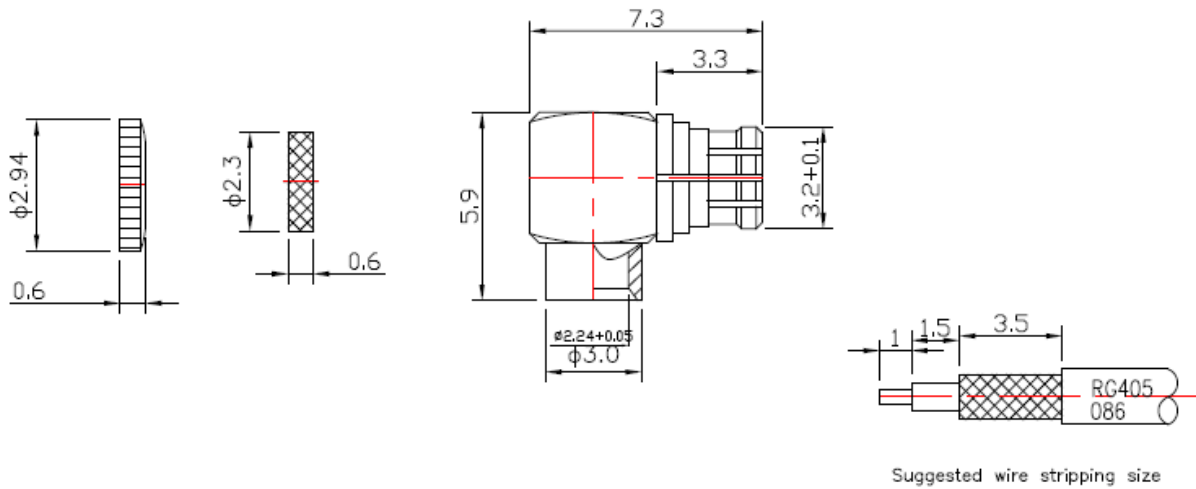




## ❖ ELECTRICAL SPECIFICATION

PARAMETER	VALUE	UNIT
Frequency Range	DC ~ 6	GHz
Impedance	50	$\Omega$
VSWR, max	1.25	-
Durability	500	cycles
Operating Temperature Range	-65 ~ +165	$^{\circ}\text{C}$
Neutral Salt Spray	48	h

## ❖ DIMENSIONS



DESCRIPTION	MATERIAL	FINISH
BODY	BERYLLIUM BRONZE	GOLD PLATING
CENTER CONTACT	BERYLLIUM BRONZE	GOLD PLATING
INSULATOR	PTFE	-

				 A RAMI TECHNOLOGY Company	
Rev	Change	Date	Name	Description <b>SMP FEMALE RIGHT ANGLE CONNECTOR FOR RG405/086 CABLE</b>	
Projection		Date	Name		
Scale		Date	Name		
		Drawn 03.29.2024 AR	Checked 03.29.2024 CP	Part Number <b>RCN-33F-WB2073-LH-001</b>	<b>A</b>
Dimensions in mm		Approved 03.29.2024 CP			