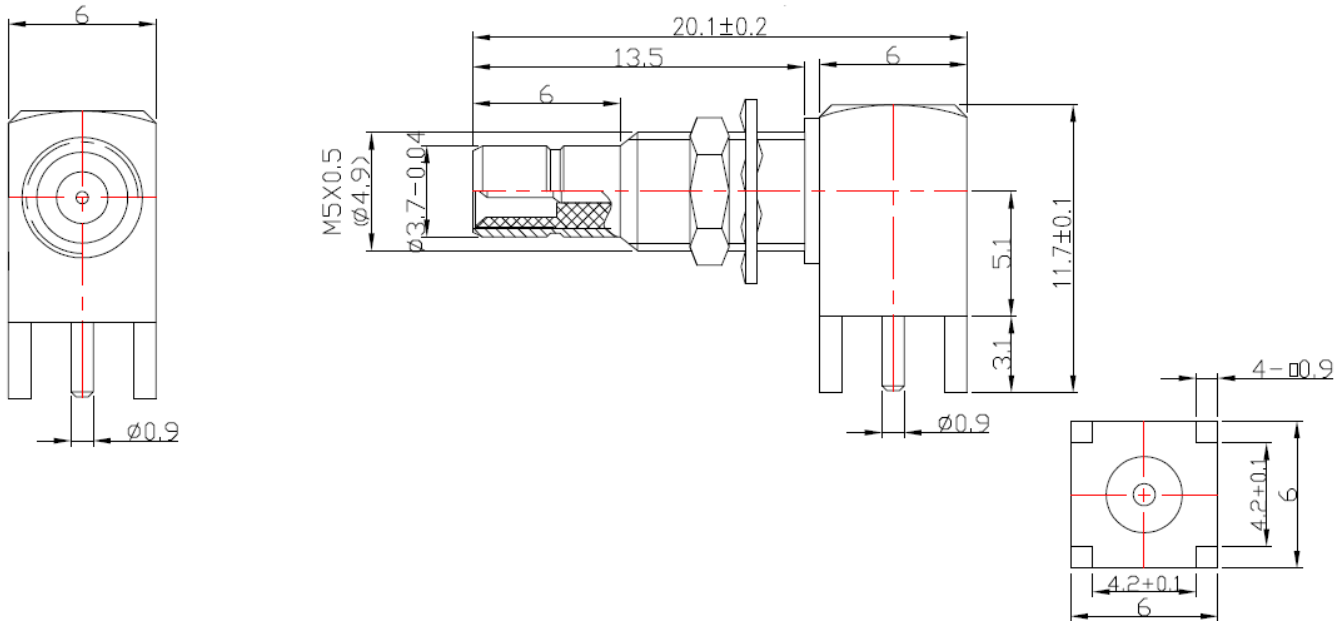



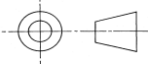
❖ ELECTRICAL SPECIFICATION

PARAMETER	VALUE	UNIT
Frequency Range	DC ~ 6	GHz
Impedance	50	Ω
VSWR, max	1.25	-
Durability	500	cycles
Center Contact Resistance, max	3	m Ω
Outer Contact Resistance, max	2	m Ω
Dielectric Strength	500	Vrms
Operating Temperature Range	-65 ~ +165	$^{\circ}\text{C}$
Neutral Salt Spray	48	h

❖ DIMENSIONS



DESCRIPTION	MATERIAL	FINISH
BODY	BRASS	GOLD PLATING
CENTER CONTACT	BRASS	GOLD PLATING
INSULATOR	PTFE	-

					 A RAMI TECHNOLOGY Company
Rev	Change	Date	Name	Description	
				SMB MALE RIGHT ANGLE TO PCB CONNECTOR	
				Part Number	
Projection		Scale	Date	Name	RCN-2M-JYWE201-LH-001
			03.29.2024	AR	
			03.29.2024	CP	
Dimensions in mm			03.29.2024	CP	A