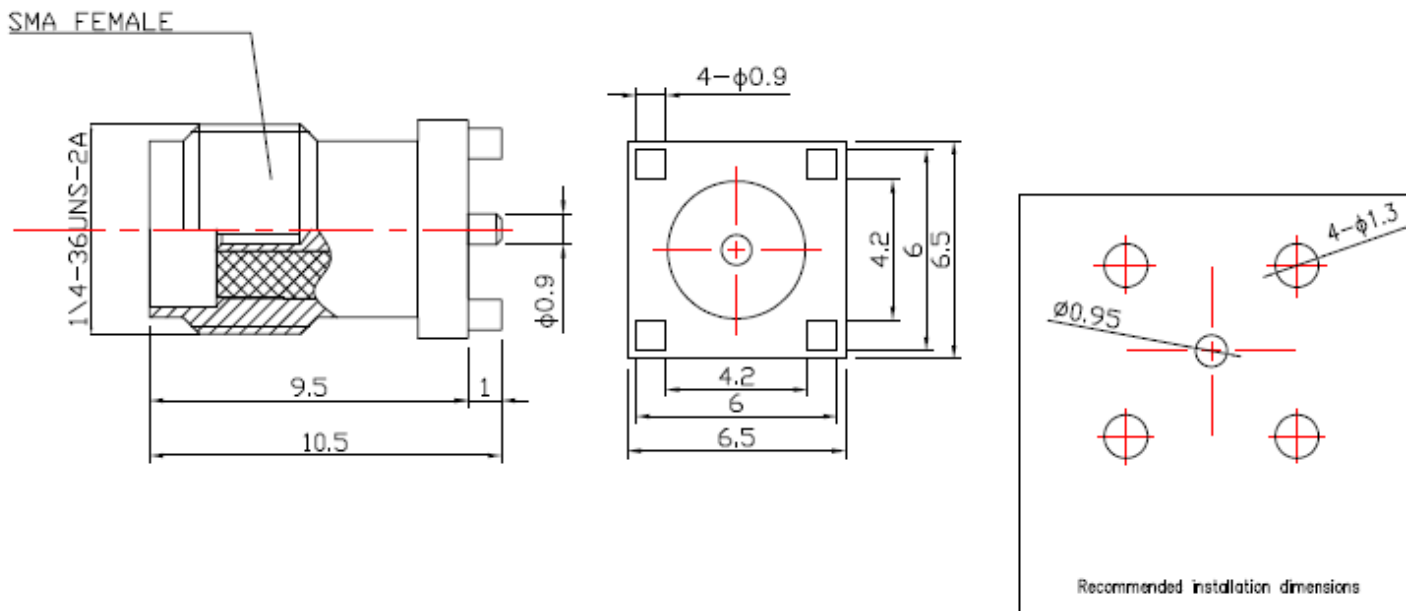


❖ ELECTRICAL SPECIFICATION

PARAMETER	VALUE	UNIT
Frequency Range	DC ~ 6	GHz
Impedance	50	$\Omega$
VSWR, max	1.2	-
Durability	500	cycles
Operating Temperature Range	-65 ~ +165	$^{\circ}\text{C}$
Neutral Salt Spray	48	h

❖ DIMENSIONS



DESCRIPTION	MATERIAL	FINISH
BODY	BRASS	GOLD PLATING
CENTER CONTACT	PHOSPHOR BRONZE	GOLD PLATING
INSULATOR	PTFE	-

Rev	Change	Date	Name

Projection	Scale	Date	Name
	--	Drawn	03.29.2024 AR
		Checked	03.29.2024 CP
		Approved	03.29.2024 CP



Description		<b>SMA FEMALE CONNECTOR TO PCB</b>	
Part Number		<b>RCN-1F-KHE105-LH-001</b>	<b>A</b>