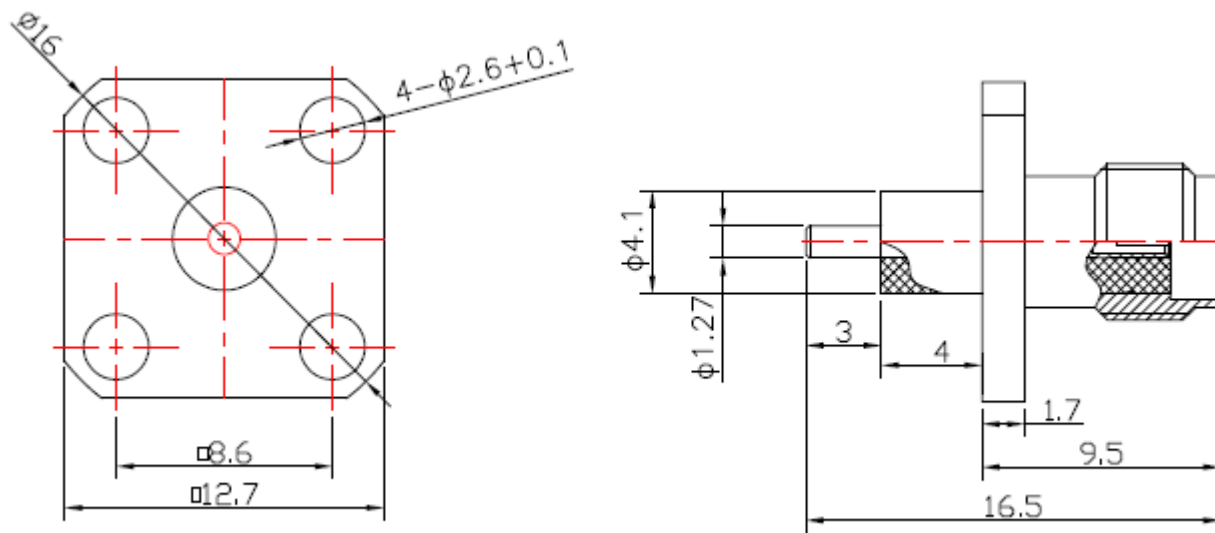




❖ ELECTRICAL SPECIFICATION

PARAMETER	VALUE	UNIT
Frequency Range	DC ~ 6	GHz
Impedance	50	Ω
VSWR, max	1.25	-
Durability	500	cycles
Operating Temperature Range	-65 ~ +165	$^{\circ}\text{C}$
Neutral Salt Spray	48	h

❖ DIMENSIONS



DESCRIPTION	MATERIAL	FINISH
BODY	BRASS	GOLD PLATING
CENTER CONTACT	PHOSPHOR COPPER	GOLD PLATING
INSULATOR	PTFE	-

						 A RAMI TECHNOLOGY Company
Rev	Change	Date	Name			
Projection	Scale	Date	Name			
	--	Drawn	03.29.2024	AR		
		Checked	03.29.2024	CP		SMA FEMALE CONNECTOR Part Number RCN-1F-FD4165-LH-001
		Approved	03.29.2024	CP		