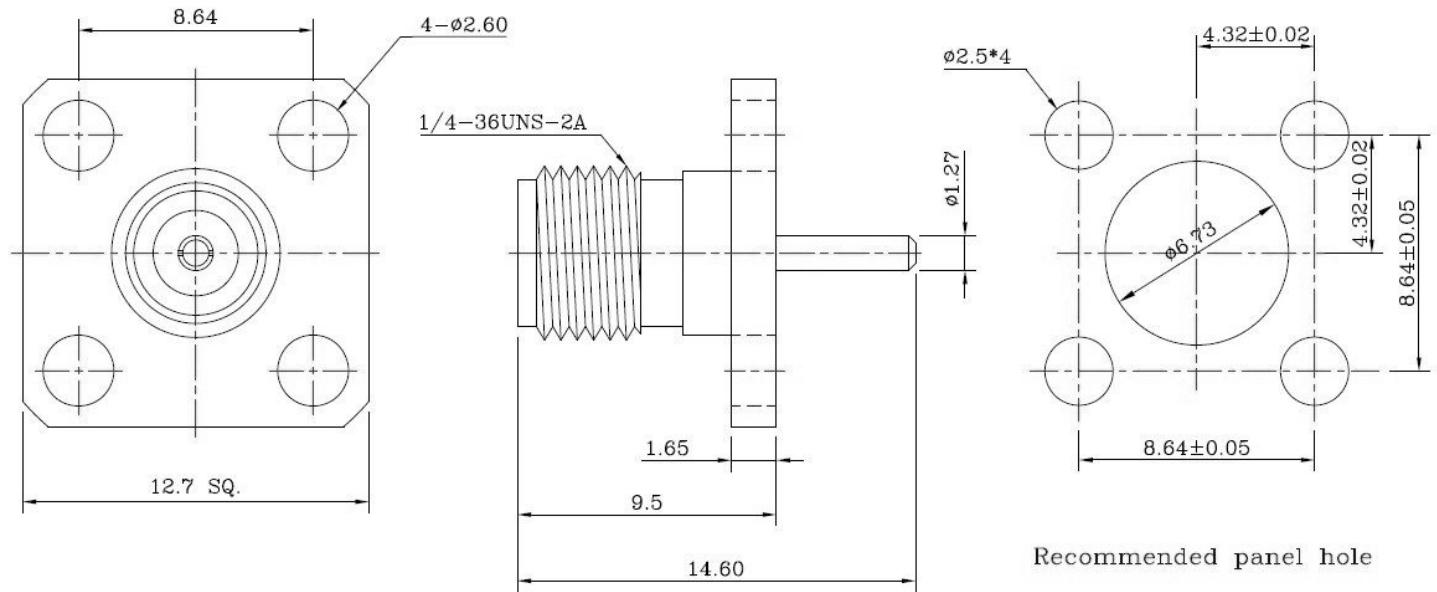



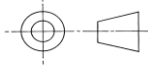
❖ ELECTRICAL SPECIFICATION

PARAMETER	VALUE	UNIT
Frequency Range	0 – 12.4	GHz
Impedance	50	Ω
Working Voltage, max	500	Vrms
Dielectric Withstanding Voltage, max	1500	Vrms

❖ DIMENSIONS



Description	Material	Finished
Body	Brass	Gold
Insulator	Teflon	None
Contact	Beryllium Copper	Gold 30u"

					 A RAMI TECHNOLOGY Company	
Rev	Change	Date	Name			
Projection		Scale	Date	Name	Description SMA STRAIGHT JACK PANEL MOUNT 4 HOLE Part Number RCN-1F-A505900A-K-001	
		--	Drawn	09.10.2018		AR
			Checked	09.10.2018		CP
Dimensions in mm			Approved	09.10.2018	CP	
					A	