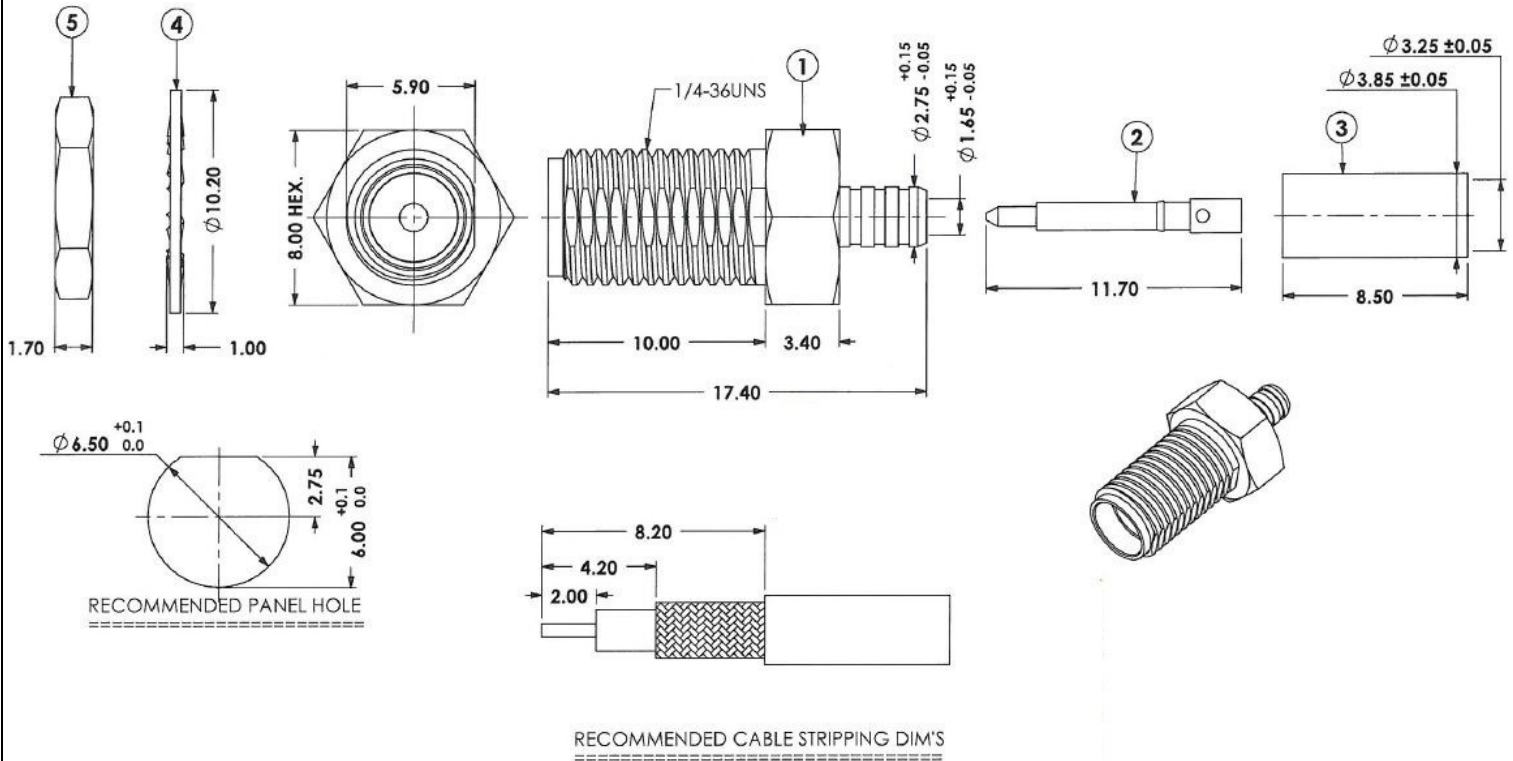



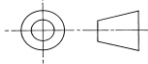
❖ ELECTRICAL SPECIFICATION

PARAMETER	VALUE	UNIT
Frequency Range	0 – 3	GHz
Impedance	50	Ω
Working Voltage, max	335	Vrms
Dielectric Withstanding Voltage, max	1000	Vrms

❖ DIMENSIONS



Item	Description	Material	Finished
1	Body	Zinc-Alloy	Gold Flash
	Insulator	Teflon	Gold Flash
2	Contact	Brass	Gold Flash
3	Ferrule	Brass	Gold Flash
4	Lock Washer	Steel	Natural
5	Nut	Brass	Gold Flash

				 A RAMI TECHNOLOGY Company	
Rev	Change	Date	Name	Description	
				RP-SMA STRAIGHT JACK CRIMP FOR RG 174 -316 CABLE	
Projection		Scale	Date	Name	Part Number
 Dimensions in mm		--	Drawn	09.06.2018	AR
			Checked	09.06.2018	CP
			Approved	09.06.2018	CP
RCN-1F-21673-K-001					A