

CO3215 SERIES: 3.2 x 1.5 mm CLOCK OSCILLATOR

■ FEATURES

- SMALL PACKAGE
- LOW CURRENT CONSUMPTION
- STANDBY FUNCTION

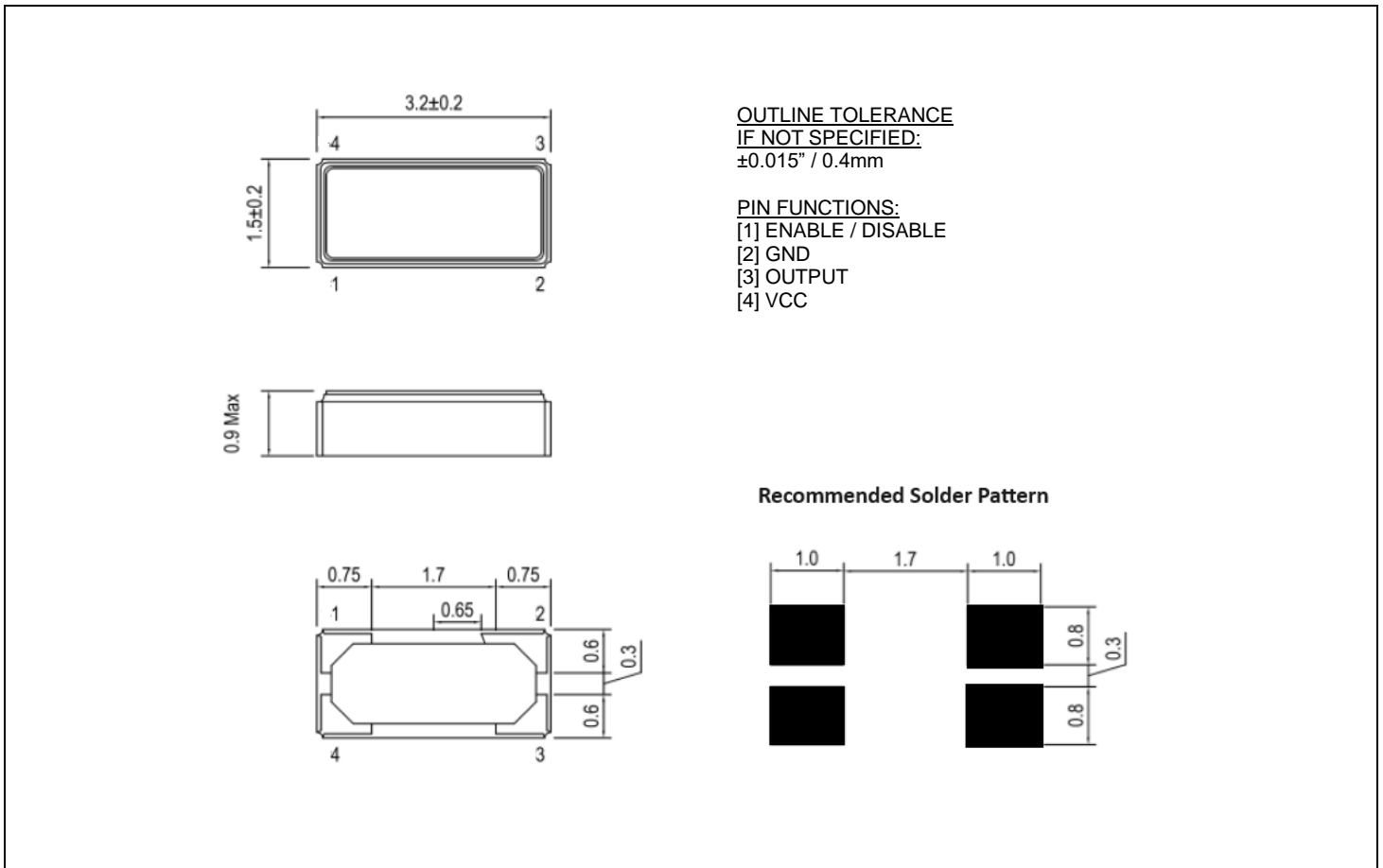


■ ELECTRICAL SPECIFICATION

PARAMETER		VALUE
Nominal Frequency		32.768 kHz
Frequency Stability		±10ppm, ±15ppm, ±20 ppm, ±25 ppm, ±30 ppm, ±50 ppm,
Initial Tolerance		±3 ppm max
Aging @ First year		±3 ppm max
Supply Voltage (Vcc)		1.5 ~ 3.63 V
Supply Current @ +3.3V. no load		2.5 µA max
Output CMOS	Symmetry @50% Vdd	40% to 60%
	Rise / Fall Time	40 ns max at 10% to 90% Vdd
	Logic "0" Level	Vcc x 0.1 V max
	Logic "1" Level	Vcc x 0.9 V min
	Load	30 pF max
Enable / Disable Function		Pin 1: High or Open >> Output enabled Pin 3 Pin 1: Low >> Output disabled (High impedance)
Start-up Time @ +25°C, 3.3V		0.5 s max
Standby Current		2.5 µA max
Frequency Voltage Coefficient		±1 ppm/V max. (V _{DD} = +1.5V to +3.63V)
Operating Temperature Range		-40°C ~ +85°C Extended
Storage Temperature Range		-40°C ~ +105°C

CO3215 SERIES: 3.2 x 1.5 mm CLOCK OSCILLATOR

MECHANICAL SPECIFICATION (4 pin ceramic package)



PART NUMBERING SYSTEM

TYPE	SERIES	FREQUENCY (MHz)	SUPPLY VOLTAGE (Vcc)	STABILITY (PPM)	TEMPERATURE RANGE	SYMMETRY (Duty Cycle)	TAPE & REEL
Clock Oscillator CO	3215	0.032768	1.8: Vcc=1.8 2.5: Vcc=2.5 3.0: Vcc=3.0 3.3: Vcc=3.3 P: Vcc=1.6~3.63	10: ±10 15: ±20 20: ±20 25: ±25 30: ±30 50: ±50	X: -40°C ~ +85°C	blank: 40 ~ 60%	TR

EXAMPLE: CO3215-0.032768-2.5-50-X-T-TR

Surface Mount CO3215, 3.2 x 1.5 mm, 32.768 kHz, 2.5 VDC Supply Voltage, ±50 ppm Overall Stability, from -40°C to +85°C, Symmetry 45% to 55%, Tape and reel packaging.

