

● ELECTRICAL SPECIFICATIONS

Parameters		Value	Unit
Frequency Range		2.000 ~ 12.000	MHz
Frequency Tolerance at 25°C, max		±0.5	%
Frequency Stability over Temperature Range, max		±0.3	%
Operating Temperature Range	Standard	-20 ~ +85	°C
	Extended 1	-40 ~ +125	
Storage Temperature Range		-40 ~ +125	°C
Load*		30	pF
Aging For 10 Years		±0.3	%

Note*: Other Loads available. Please consult with the factory

● MECHANICAL SPECIFICATION (A)

① Input
② Output

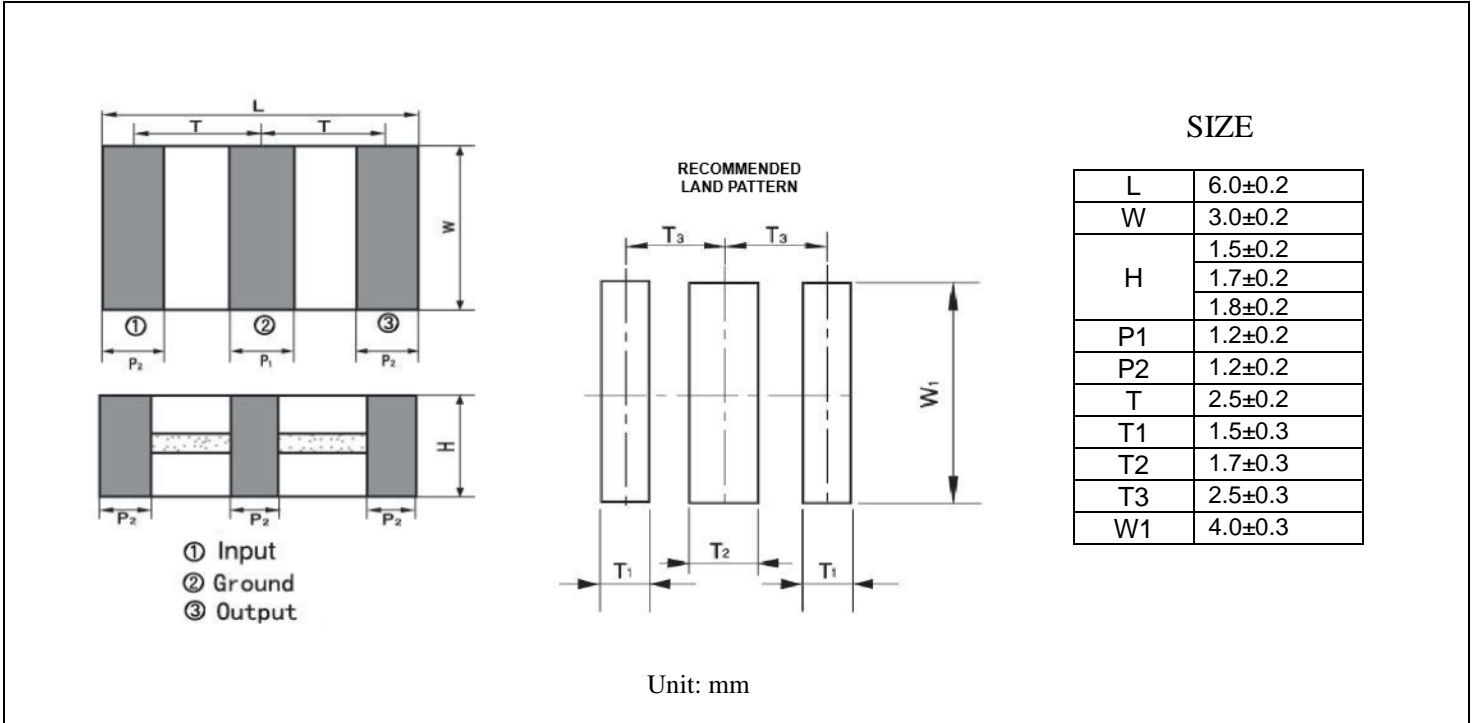
RECOMMENDED
LAND PATTERN

SIZE

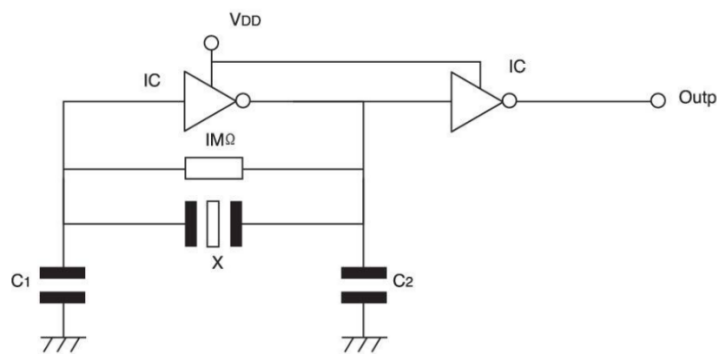
L	6.0±0.2
W	3.0±0.2
H	1.5±0.2
	1.7±0.2
	1.8±0.2
P2	1.2±0.2
T	5.0±0.2
T1	1.5±0.3
T3	5.0±0.3
W1	4.0±0.3

Unit: mm

● MECHANICAL SPECIFICATION (B)

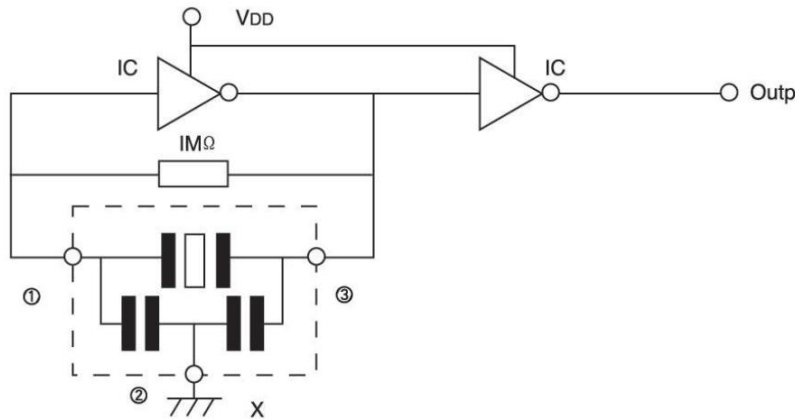


● TEST CIRCUIT (A)



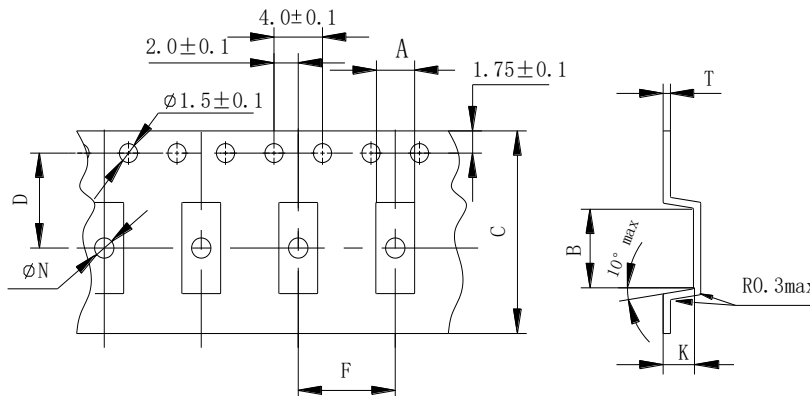
X: Ceramic Resonator
VDD: +5V

● TEST CIRCUIT (B)



X: Ceramic Resonator
VDD: +5V

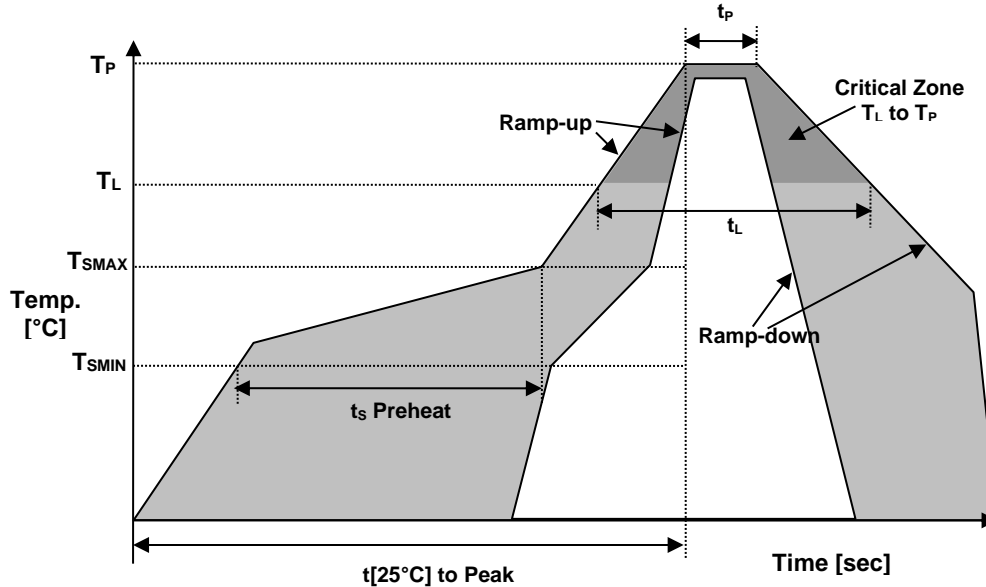
● CARRIER TAPE DIMENSIONS



6.0*3.0mm

CP	A	B	C	D	F	ΦN	K	T
mm	3.4±0.2	6.5±0.2	16.0±0.2	7.5±0.1	8.0±0.1	1.55±0.1	2.1±0.1	0.3±0.1

REFLOW PROFILE



Reflow profile		
Temperature Min Preheat	T_{SMIN}	140°C
Temperature Max Preheat	T_{SMAX}	160°C
Time (T_{SMIN} to T_{SMAX})	t_s	80-120 sec.
Temperature	T_L	200°C
Peak Temperature	T_P	260°C max
Ramp-up rate	R_{UP}	3°C/sec max.
Ramp-down rate	R_{DOWN}	6°C/sec max.
Time within 5°C of Peak Temperature	t_p	10 sec.
Time $t[25°C]$ to Peak Temperature	$t[25°C]$ to Peak	180 sec.
Time	t_L	20-40 sec.

ENVIRONMENTAL

Parameter	Value
MOISTURE SENSITIVITY LEVEL	1
RoHS	Compliant
REACH SVHC	Compliant
HALOGEN-FREE	Compliant
ESD CLASSIFICATION LEVEL	N/A
TERMINATION FINISH	Sn



March 2025



A RAMI TECHNOLOGY Company

CERAMIC RESONATOR
GENERAL SPECIFICATION

Page 5 of 5

SMR 6030 A and B Series

● PART NUMBERING SYSTEM

Series	-	Frequency (MHz)	-	Pads	-	Package type (mm)	-	Operating Temperature (°C)	-	Load (pF)	-	Height (mm)
SMR	-	2.000 ~ 12.000	-	A=2pads B=3pads	-	6030=6.0x3.0	-	Blank for Standard EXT1=Extended 1	-	30	-	5=1.5 7=1.7 8=1.8

Example: SMR-12.000-A6030-30-7

SMR, 12.000 MHz, A Two Pads, 6.0 x 3.0mm, from -20°C to +85°C, 30 pF load, height 1.7mm

Raltron Electronics / RAMI Technology USA, LLC, including its affiliates, employees, agents and other persons acting on its behalf (collectively Raltron/RAMI Tech), disclaim any and all liability for any errors or inaccuracies contained in this data sheet. While Raltron/RAMI Tech has made every reasonable effort ensure the accuracy of all product information, specifications and data contained herein, Raltron/RAMI Tech does not guarantee that the information is accurate, reliable or current. The product information is provided only for reference purposes only and is subject to change, correction or revision, at any time without notice. Raltron/RAMI Tech does not assume any liability arising out of an application or use of any product described herein and disclaims any warranties expressed or implied. The user of products in such applications shall assume all risks of such use and will agree to hold Raltron/RAMI Tech, harmless against all damages.

Copyright © 2016, Raltron Electronics / RAMI Technology USA, LLC. All rights reserved. No part of this document may be reproduced in any form without the prior written permission of Raltron Electronics / RAMI Technology USA, LLC.