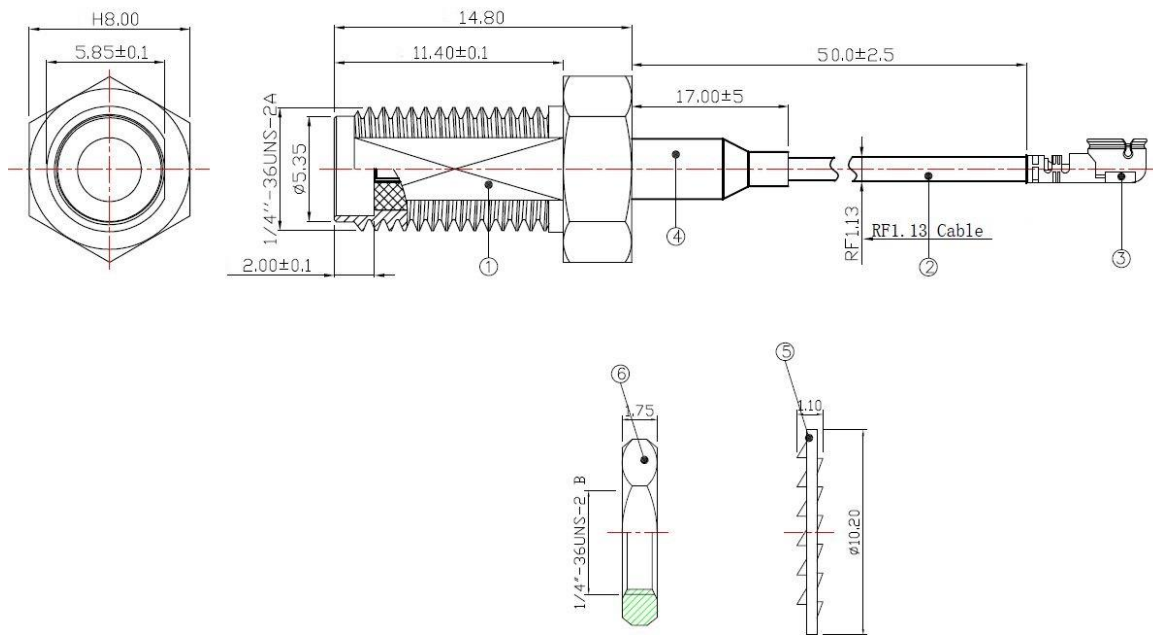



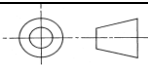
❖ ELECTRICAL SPECIFICATION

PARAMETER		VALUE	UNIT
Working Frequency		DC – 6	GHz
Impedance		50	Ω
VSWR, max		2	-
Working Voltage, max		335	V
Withstand Voltage		750	Vrms
Insulation Resistance		5000	M Ω
Contact Resistance	Center Contact	5	m Ω
Outer Contact, max		2.5	m Ω
Working Temperature Range		-55 ~ +125	$^{\circ}$ C

❖ DIMENSIONS



ITEM	DESCRIPTION	MATERIAL	FINISH
1	SMA (F) BULKHEAD ST	BRASS	GOLD
2	1.13 COAXIAL CABLE	FEP JACKET	BLACK
3	IPEX MHF1	BRASS	GOLD
4	HEAT SHRINK TUBE	PE	BLACK
5	NUT	BRASS	GOLD
6	WASHER	BRASS	GOLD

							
Rev	Change	Date	Name				
Projection		Scale	Date			Name	
		--	Drawn			09.16.2021	AR
Dimensions in mm			Checked	09.16.2021	CP	Description SMA JACK TO I-PEX FOR 1.13 CABLE	
			Approved	09.16.2021	CP	Part Number RCB-16-F-50-12-SD	
						A	