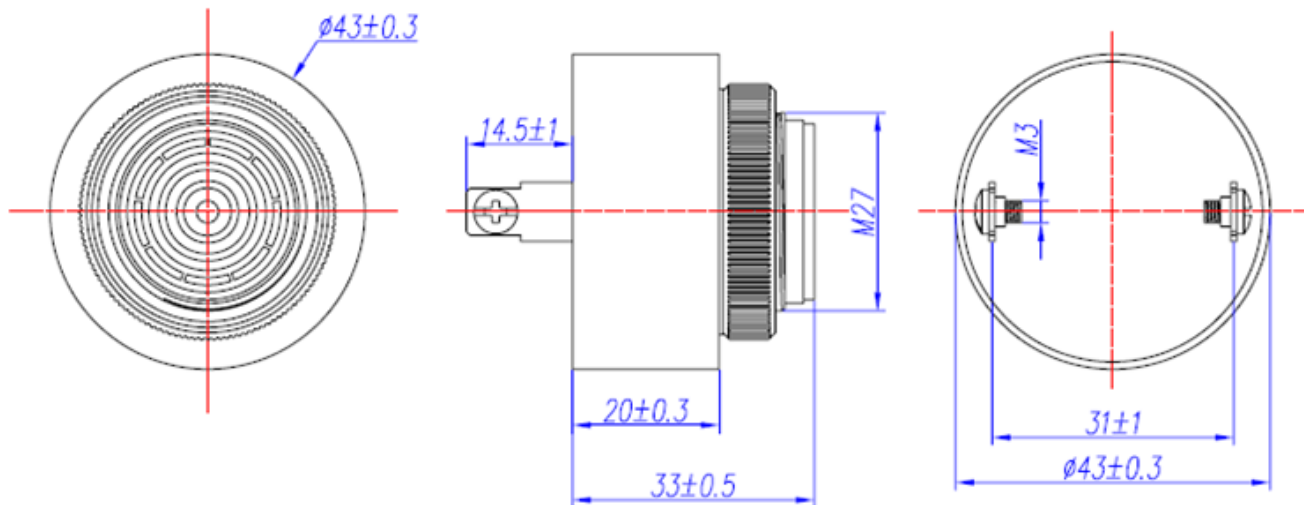




### Electrical Specifications

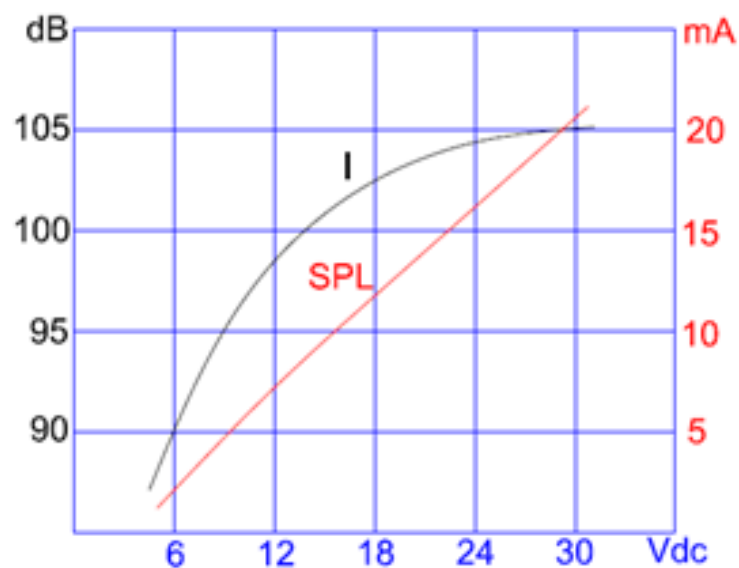
| PARAMETERS   |   | VALUE  | UNIT     |
|--|---|--|----------|
| Operating Frequency  |   | 3200±500   | Hz       |
| Operating Voltage, max                                     |   | 12   | VDC      |
| Rated Voltage  |   | 5 ~ 30   | VDC      |
| Sound Output   | min @ 12VDC, 30 cm, 25°C  | 93   | dB       |
| Operating Current, max @12VDC                              |   | 15   | mA       |
| High Temperature Reliability                               | No Function for 240 hours   | +85±2  | °C       |
|  | Function for 240 hours  | +65±2  | °C       |
| Low Temperature Reliability                                | No Function 240 hours   | -40 ±2   | °C       |
|  | Function for 240 hours  | -30±2  | °C       |
| Humidity @ +60±2 °C, R.H 120 hours                         |   | 90~95  | %        |
| Life Test @ Rated voltage in room temperature continuously |   | 1000   | h        |
| Termination Strength, max                                  |   | 6.8  | kg       |
| Operating Temperature Range                                |   | -30 ~ +65  | °C       |
| Storage Temperature Range                                  |   | -40~ +85   | °C       |
| Description  |   | Two,0.25 (6.4mm) Quick Connect Blades,0.032 φ (0.8 φ mm) Wide, Brass, Electro-Tin Plated With M3 0.25 (6.4mm) long Stainless Steel | -        |
| Case   |   | Plastic, PC  | -        |
| Diaphragm  |   | Brass Disc   | -        |
| Weight, typ  |   | 42   | g        |
| Thermal Cycle  |   | -40±2°C, 1h<br>+20±2°C ,5min<br>+65±2°C ,1h<br>+20±2°C ,5min   | 5 cycles |
| Vibration  | @ 10 to 50Hz of vibration frequency to each of 3 perpendicular directions for 2 hours | 1.5  | mm       |
| Shock  | @ Shock for each mutually perpendicular directions, half sine wave, 3 times each      | 980  | m/s2     |
| Drop Test  |   | Dropped naturally from 700mm height onto the surface of 10mm wooden board. 2 directions – upper and side of the part are applied   |          |

#### Dimension



Unit: mm

#### Frequency Characteristics





A **RAMI TECHNOLOGY** Company

# BUZZER

Page 3 of 3

RBE-3.200-4333-SC-NS1

- **APPROVAL**

|             |                    |
|-------------|--------------------|
| DRAWN BY    | AR, May 28, 2024   |
| APPROVED BY | CP, May 28, 2024   |
| REVISION    | A, Initial Release |

Raltron Electronics / RAMI Technology USA, LLC, including its affiliates, employees, agents and other persons acting on its behalf (collectively Raltron/RAMI Tech), disclaim any and all liability for any errors or inaccuracies contained in this datasheet. While Raltron/RAMI Tech has made every reasonable effort ensure the accuracy of all product information, specifications and data contained herein, Raltron/RAMI Tech does not guarantee that the information is accurate, reliable or current. The product information is provided only for reference purposes only and is subject to change, correction or revision, at any time without notice. Raltron/RAMI Tech does not assume any liability arising out of an application or use of any product described herein and disclaims any warranties expressed or implied. The user of products in such applications shall assume all risks of such use and will agree to hold Raltron/RAMI Tech, harmless against all damages.

Copyright © 2016, Raltron Electronics / RAMI Technology USA, LLC. All rights reserved. No part of this document may be reproduced in any form without the prior written permission of Raltron Electronics / RAMI Technology USA, LLC.