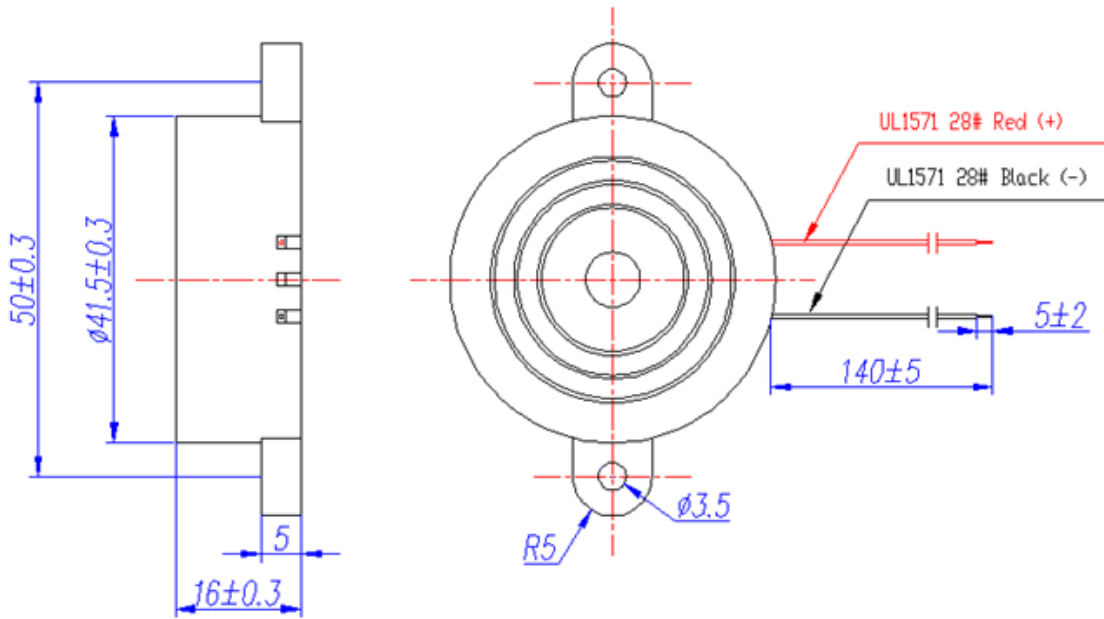




Electrical Specifications

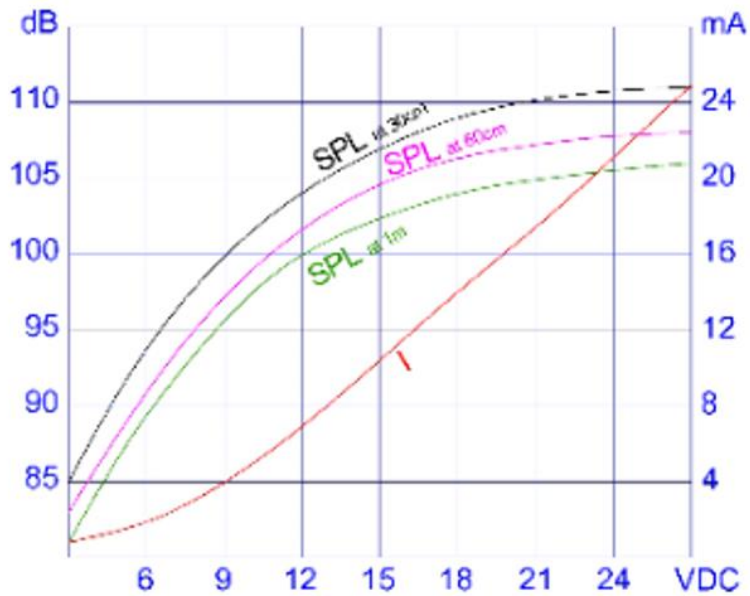
PARAMETERS		VALUE	UNIT
Operating Frequency		2800±500	Hz
Operating Voltage, max		3 ~ 24	VDC
Rated Voltage		12	VDC
Sound Output , typ	@ 12VDC, 30 cm, 25°C	98	dB
Operating Current, typ	@ 12 VDC	15	mA
High Temperature Reliability	No function for 240 hours	+80 ±2	°C
	Function for 240 hours	+70 ±2	°C
Low Temperature Reliability	No function for 240 hours	-30 ±2	°C
	Function for 240 hours	-20 ±2	°C
Life Test	At 12 VDC in room temperature, 1 CYCLE=1 min, ON 4 min. Off, continuously	1000	h
Humidity	@ 60 ±2 °C, R.H 120 hours	90 - 95	%
Operating Temperature Range		-20 ~ +70	°C
Storage Temperature Range		-30 ~ +80	°C
Termination		2 Wires, UL1571 AG28#Red(+) Black(-)	-
Case		ABS757	
Termination Strength		9.8	N
Diaphragm		Brass Disc	-
Weight, typ		13	g
Thermal Cycle		-20±2°C, 1h +20±2°C ,5min +70±2°C , 1h +20±2°C ,5min	5 cycles
Vibration	@ 10 to 50Hz of vibration frequency to each of 3 perpendicular directions for 2 hours	1.5	mm
Shock	@ Shock for each mutually perpendicular directions, half sine wave, 3 times each	980	m/s ²
Drop Test	Dropped naturally from 700mm height onto the surface of 10mm wooden board. 2 directions – upper and side of the part are applied		

Dimension



Unit: mm

Frequency Characteristics





A RAMI TECHNOLOGY Company

BUZZER

Page 3 of 3

RBE-2.800-4116-NS2

• APPROVAL

DRAWN BY	AR, November 21, 2023
APPROVED BY	CP, November 21, 2023
REVISION	A, Initial Release
	B, AR, March 19, 2024 Updated the Current Revision Levels

Raltron Electronics / RAMI Technology USA, LLC, including its affiliates, employees, agents and other persons acting on its behalf (collectively Raltron/RAMI Tech), disclaim any and all liability for any errors or inaccuracies contained in this data sheet. While Raltron/RAMI Tech has made every reasonable effort ensure the accuracy of all product information, specifications and data contained herein, Raltron/RAMI Tech does not guarantee that the information is accurate, reliable or current. The product information is provided only for reference purposes only and is subject to change, correction or revision, at any time without notice. Raltron/RAMI Tech does not assume any liability arising out of an application or use of any product described herein and disclaims any warranties expressed or implied. The user of products in such applications shall assume all risks of such use and will agree to hold Raltron/RAMI Tech, harmless against all damages.

Copyright © 2016, Raltron Electronics / RAMI Technology USA, LLC. All rights reserved. No part of this document may be reproduced in any form without the prior written permission of Raltron Electronics / RAMI Technology USA, LLC.