

Electrical Specifications

1. ANTENNA

Parameters	Specification	Unit
Frequency Range	1575.42 ± 1.023	MHz
VSWR, max	2.0	-
Bandwidth, min	5	MHz
Impedance	50	Ω
Gain (based on 70x70mm ground plane)	-1	dBic
Polarization	RHCP	-
Operating Temperature Range	-25 ~ +72	°C
Storage Temperature Range	-45 ~ +85	°C

2. LNA

Parameters	Specification	Unit
Frequency Range	1575.42 ± 1.023	MHz
DC Voltage	3.0 ± 0.3	V
Gain	18 ± 3	dB
Output VSWR, max	2.0	-
Noise Figure, max	1.5	dB
DC Current, typ	3.0 ± 0.3	mA

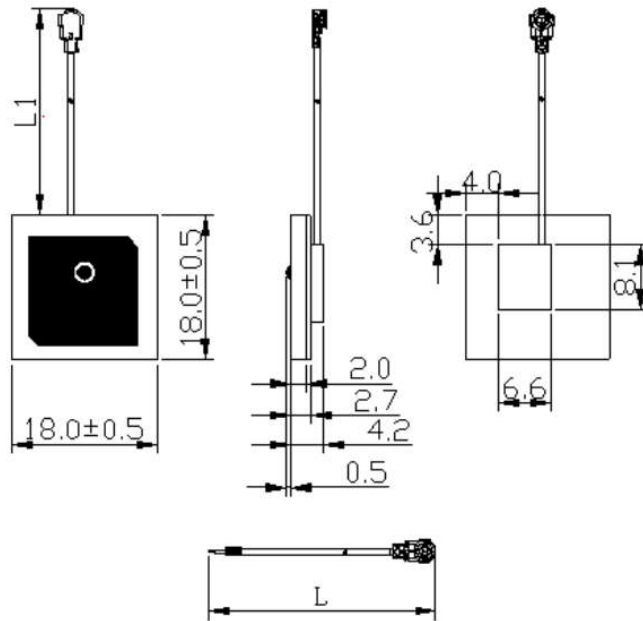
3. OVERALL

Parameters	Specification	Unit
Frequency Range	1575.42 ± 1.023	MHz
Output VSWR, max	2	-
Gain	18 ± 3	dBic
Impedance	50	Ω

Cable and Connector

Parameters	Specification	Unit
RF Cable	Length	27 ± 3
	Diameter	1.13 ± 0.1
RF Connector	IPEX - 3	-

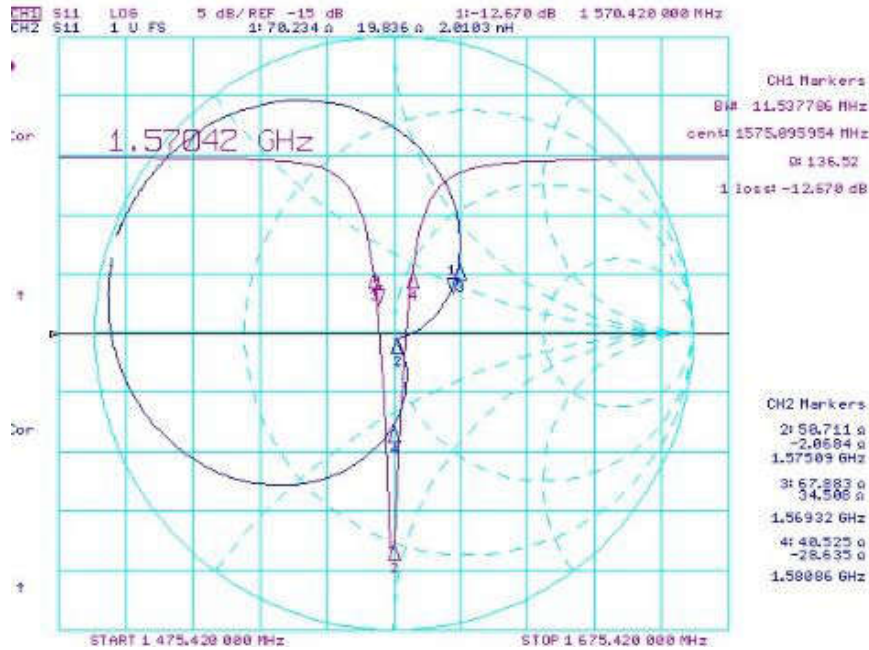
Mechanical Characteristics



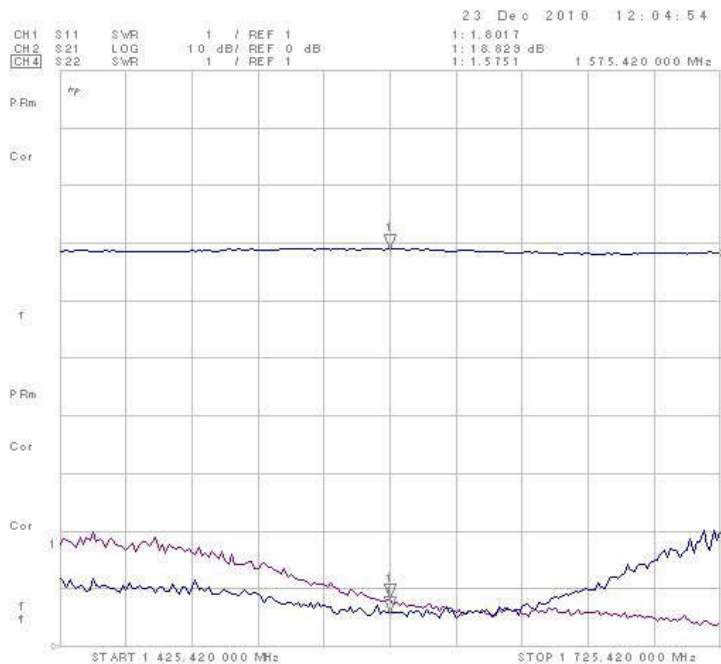
L = 27 ± 3 mm
L1 = 15 ± 3 mm

Frequency Characteristics

ANTENNA TEST CURVE



LNA TEST CURVE



May, 2016