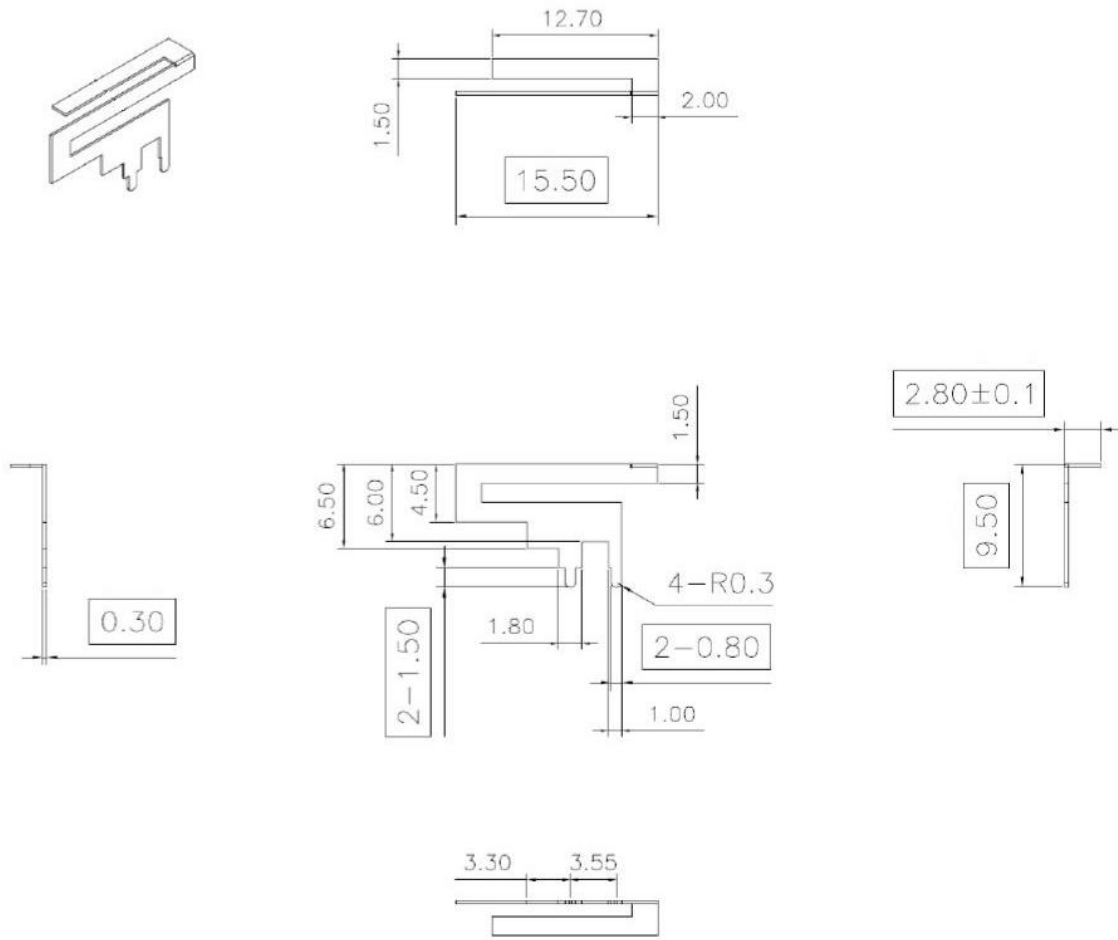


ELECTRICAL SPECIFICATION

PARAMETERS	VALUE	UNIT
Frequency Range	2400 ~ 2500	MHz
Return Loss, max	-10	dB
VSWR, max	2	-
Peak Gain	3.0	dBi
Impedance	50	Ω
Polarization	Linear Vertical	-
Radiation Pattern	Directional	-
Antenna Material	SUS430	-
	T	0.3

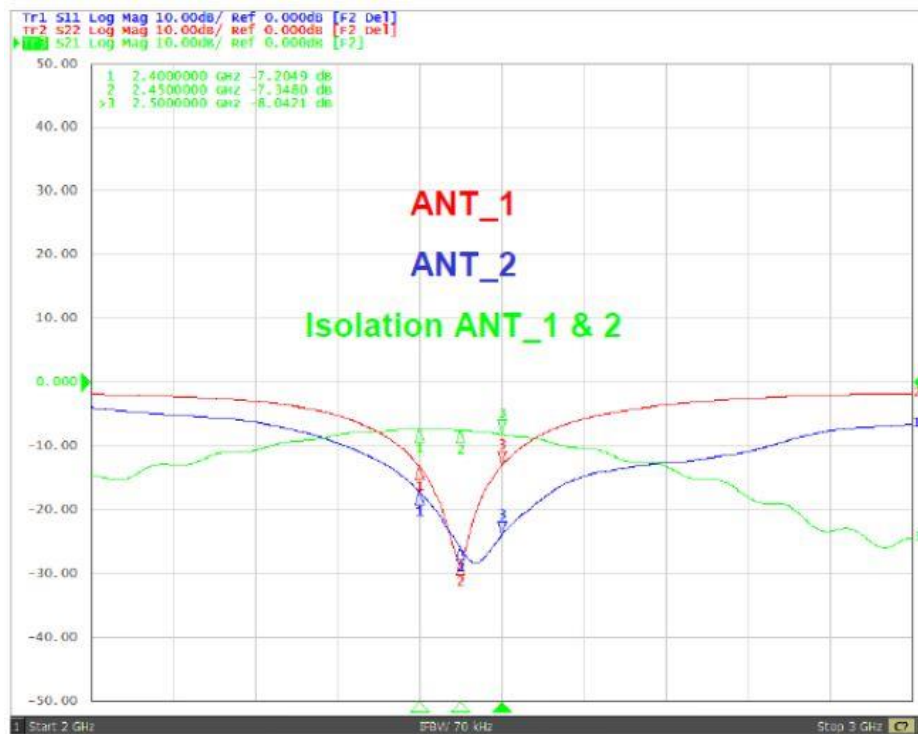
DIMENSIONS



Unit : mm

■ FREQUENCY CHARACTERISTICS

Return Loss



■ RADIATION PATTERN

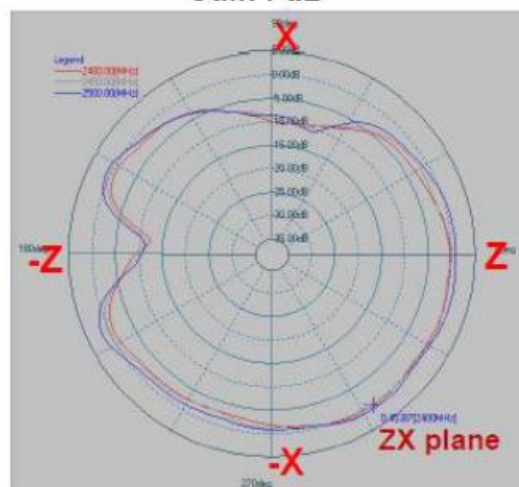
2400~2500 MHz

(ANT2)

X-Z Plane

Phi=0.00deg

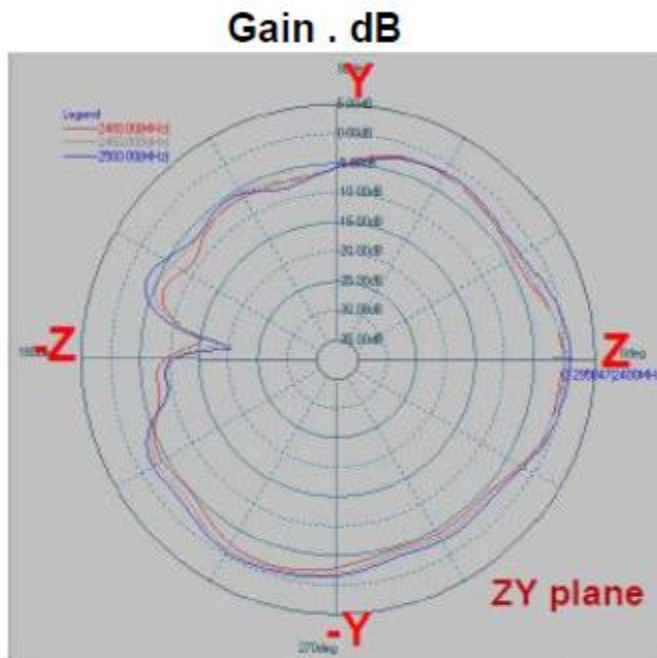
Gain . dB



Plane	Frequency [MHz]	Max Value [dB]	Average [dB]
ZX	2400	0.45	-2.40
	2450	1.11	-1.96
	2500	1.54	-1.25

Y-Z Plane

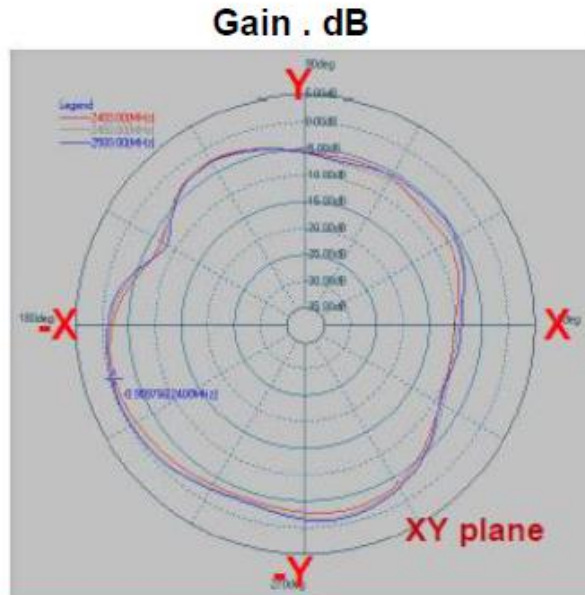
Phi=90.00deg



Plane	Frequency [MHz]	Max Value [dB]	Average [dB]
ZY	2400	-0.30	-3.83
	2450	-0.01	-3.40
	2500	0.93	-2.78

X-Y Plane

Theta=90.00deg



Plane	Frequency [MHz]	Max Value [dB]	Average [dB]
XY	2400	-0.91	-4.39
	2450	-0.37	-3.90
	2500	-0.30	-3.65

ENVIRONMENTAL

PARAMETER	VALUE
RoHS	Compliant
REACH SVHC	Compliant
HALOGEN-FREE	Compliant



APPROVAL

RALTRON	
DRAWN BY:	AR, March 30, 2022
APPROVED BY:	CP, March 30, 2022
REVISION:	A, Initial Release

Raltron Electronics / RAMI Technology USA, LLC, including its affiliates, employees, agents and other persons acting on its behalf (collectively Raltron/RAMI Tech), disclaim any and all liability for any errors or inaccuracies contained in this data sheet. While Raltron/RAMI Tech has made every reasonable effort ensure the accuracy of all product information, specifications and data contained herein, Raltron/RAMI Tech does not guarantee that the information is accurate, reliable or current. The product information is provided only for reference purposes only and is subject to change, correction or revision, at any time without notice. Raltron/RAMI Tech does not assume any liability arising out of an application or use of any product described herein and disclaims any warranties expressed or implied. The user of products in such applications shall assume all risks of such use and will agree to hold Raltron/RAMI Tech, harmless against all damages.

Copyright © 2016, Raltron Electronics / RAMI Technology USA, LLC. All rights reserved. No part of this document may be reproduced in any form without the prior written permission of Raltron Electronics / RAMI Technology USA, LLC