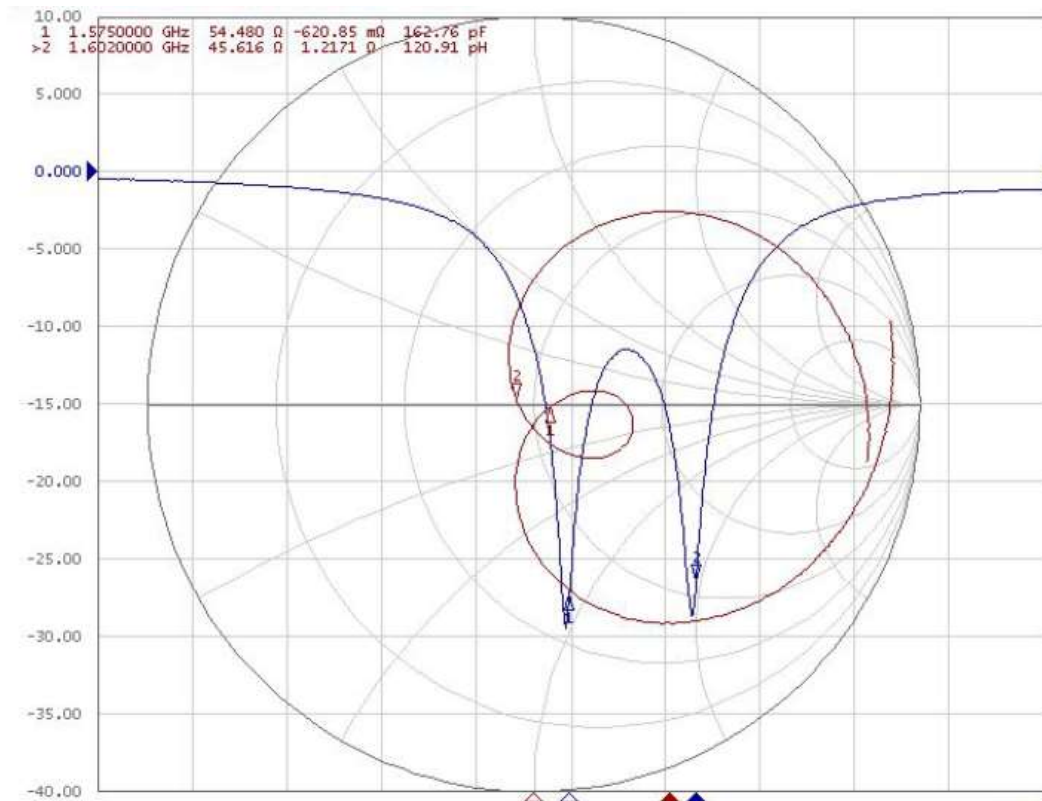


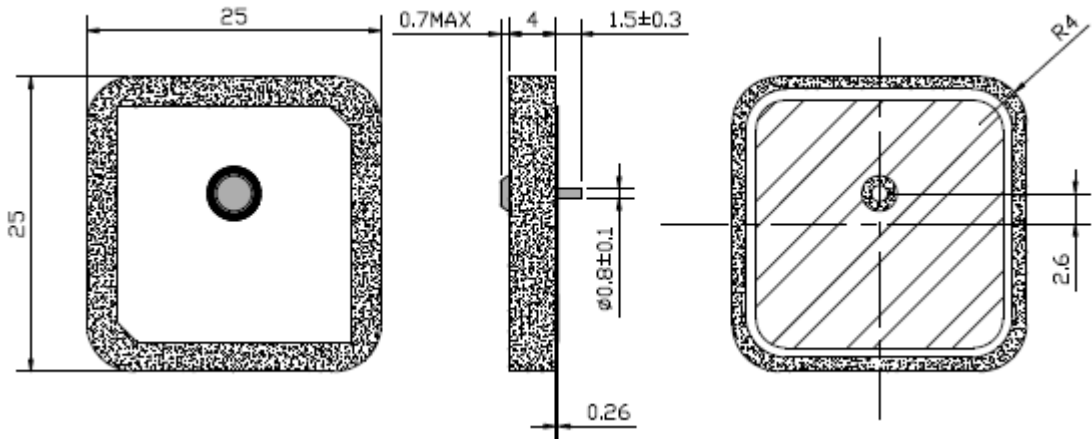
ELECTRICAL SPECIFICATION

SPECIFICATIONS	SPECIFICATIONS	UNIT
Frequency Range	GPS:1575	MHz
	GLONASS: 1602±5	MHz
Center Frequency (with GA GND Plane)	1592	MHz
Bandwidth (Return Loss ≤-10dB), min	15	MHz
VSWR (in Center Frequency), max	1.5	-
Gain (Zenith), typ	4.0	dB
Axial Ratio, max	5	dB
Polarization	RHCP	-
Impedance	50	Ω
Frequency Temperature Coefficient	0 ± 10	ppm/°C
Relative Humidity Range	55 ~ 75	%
Operating Temperature Range	-40 ~ +85	°C
Storage Temperature Range	-40 ~ +110	°C

FREQUENCY CHARACTERISTICS



■ DIMENSIONS



Dimensions mm

Tolerance ± 0.2 mm

■ APPROVAL

RALTRON	
DRAWN BY:	LP, July 12, 2016
APPROVED BY:	CP, July 12, 2016
REVISION:	A, Initial Release