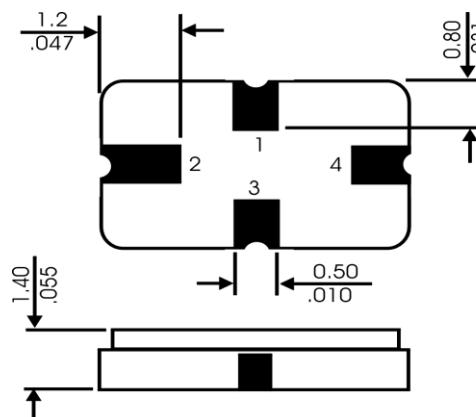


### ● SPECIFICATIONS

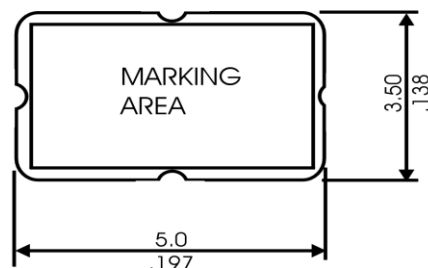
Items	Specification	Unit
Center frequency (fo)	868.905 ± 0.075	MHz
Insertion Loss, typ/max	1.6 / 2.0	dB
Quality Factor Unloaded, min/typ	5000 / 10000	-
Quality Factor 50 Ω Loaded, min/typ	500 / 1500	-
Turnover Temperature	25 ± 15	°C
Frequency Temperature Coefficient, Typ	-0.037	ppm/°C <sup>2</sup>
Frequency Aging, max	±10	ppm/year
Insulation Resistance (DC), min	1.0	MΩ
Motional Resistance (R <sub>M</sub> ), typ / max	23 / 30	Ω
Motional Inductance (L <sub>M</sub> ), typ	20.780	μH
Motional Capacitance (C <sub>M</sub> ), typ	1.618	fF
Shunt Static Capacitance (C <sub>0</sub> ), typ	2.5	pF
DC Voltage, max	30	V
Source Power, max	5	dBm
Operating Temperature Range	-40 to +85	°C
Storage Temperature Range	-45 to +85	°C

### ● MECHANICAL SPECIFICATION

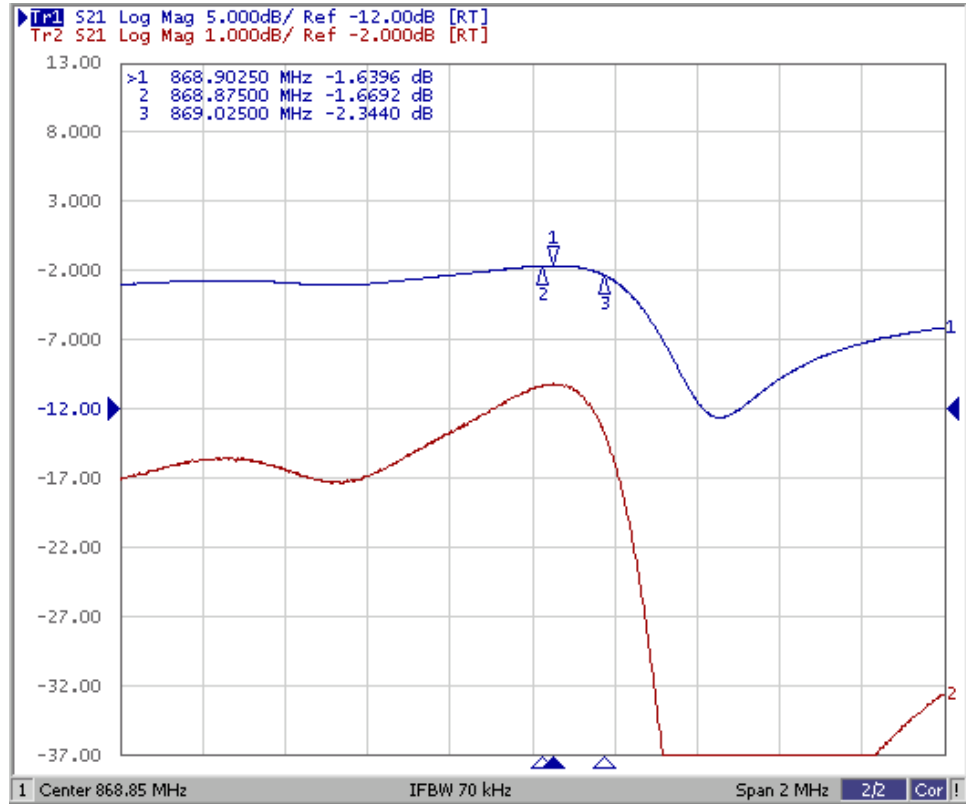
#### Dimension



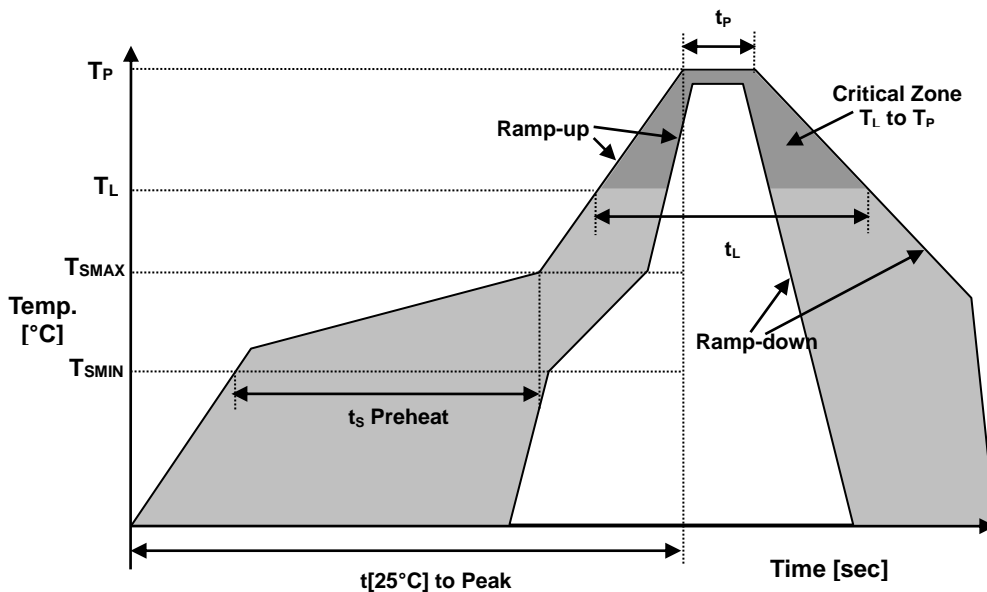
PIN CONNECTION  
 1.- INPUT/OUTPUT  
 3.- OUTPUT/INPUT  
 2,4.- CASE GROUND



- TYPICAL FREQUENCY RESPONSE



- REFLOW PROFILE



Reflow profile		
Temperature Min Preheat	$T_{SMIN}$	150°C
Temperature Max Preheat	$T_{SMAX}$	200°C
Time ( $T_{SMIN}$ to $T_{SMAX}$ )	$t_s$	60-180 sec.
Temperature	$T_L$	217°C
Peak Temperature	$T_P$	260°C
Ramp-up rate	$R_{UP}$	3°C/sec max.
Ramp-down rate	$R_{DOWN}$	6°C/sec max.
Time within 5°C of Peak Temperature	$t_p$	10 sec.
Time $t[25^\circ\text{C}]$ to Peak Temperature	$t[25^\circ\text{C}]$ to Peak	480 sec.
Time	$t_L$	60-150 sec.

### ENVIRONMENTAL

PARAMETER	VALUE
MOISTURE SENSITIVITY LEVEL	1
RoHS	COMPLIANT
REACH SVHC	COMPLIANT
HALOGEN-FREE	COMPLIANT
ESD CLASSIFICATION LEVEL	N/A



### Packing

#### 1 Dimensions

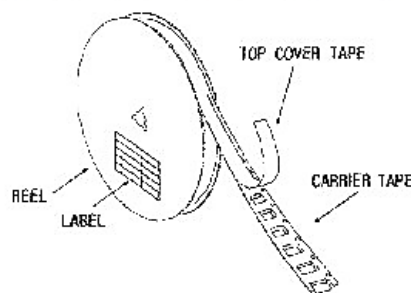
- (1) Carrier Tape: Figure 1
- (2) Reel: Figure 2
- (3) The product shall be packed properly not to be damaged during transportation and storage.

#### 2 Reeling Quantity

3000 pcs/reel 13"

#### 3 Taping Structure

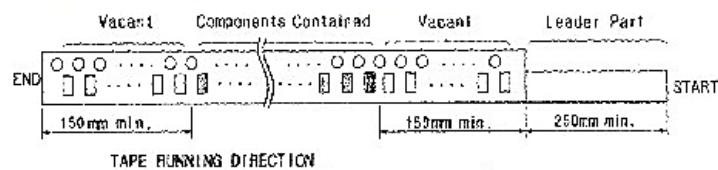
- (1) The tape shall be wound around the reel in the direction shown below.



#### (2) Label

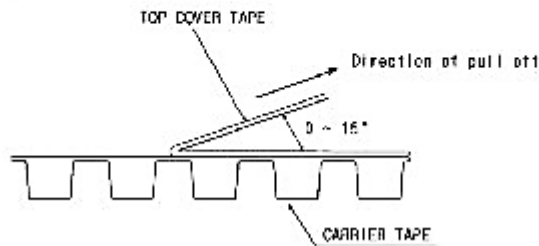
Device Name	
User Product Name	
Quantity	
Lot No.	

#### (3) Leader part and vacant position specifications.

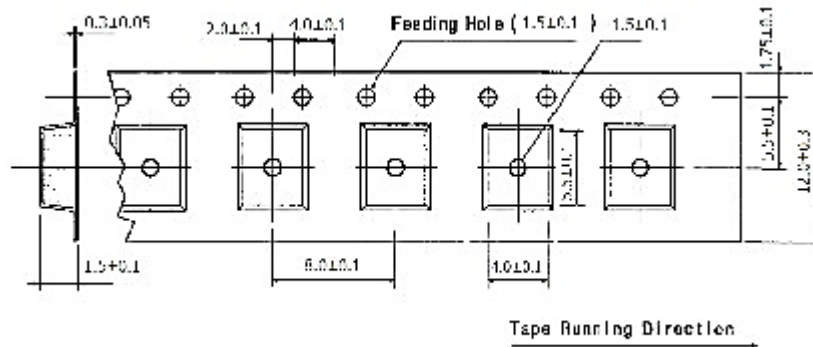


### ● TAPE SPECIFICATIONS

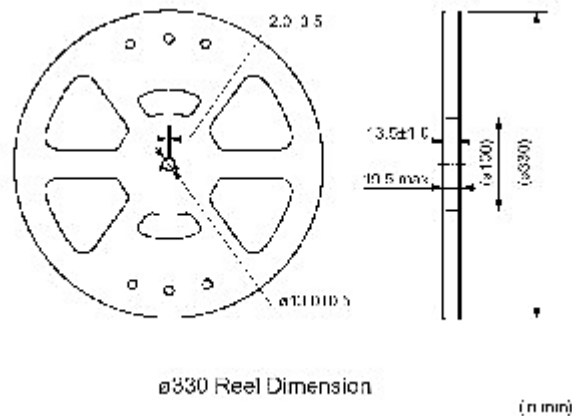
- 1 Tensile Strength of Carrier Tape: 4.4N/mm width
- 2 Top Cover Tape Adhesion (See the below figure)
  - (1) pull off angle: 0~15°
  - (2) speed: 300mm/min.
  - (3) force: 20~70g



[Figure 1] Carrier Tape Dimensions and Direction



[Figure 2] 3000 pcs/reel



### ● APPROVAL

DRAWN BY	LP, July 13, 2017
APPROVED BY	JI, July 13, 2017
REVISION	A, Initial Release