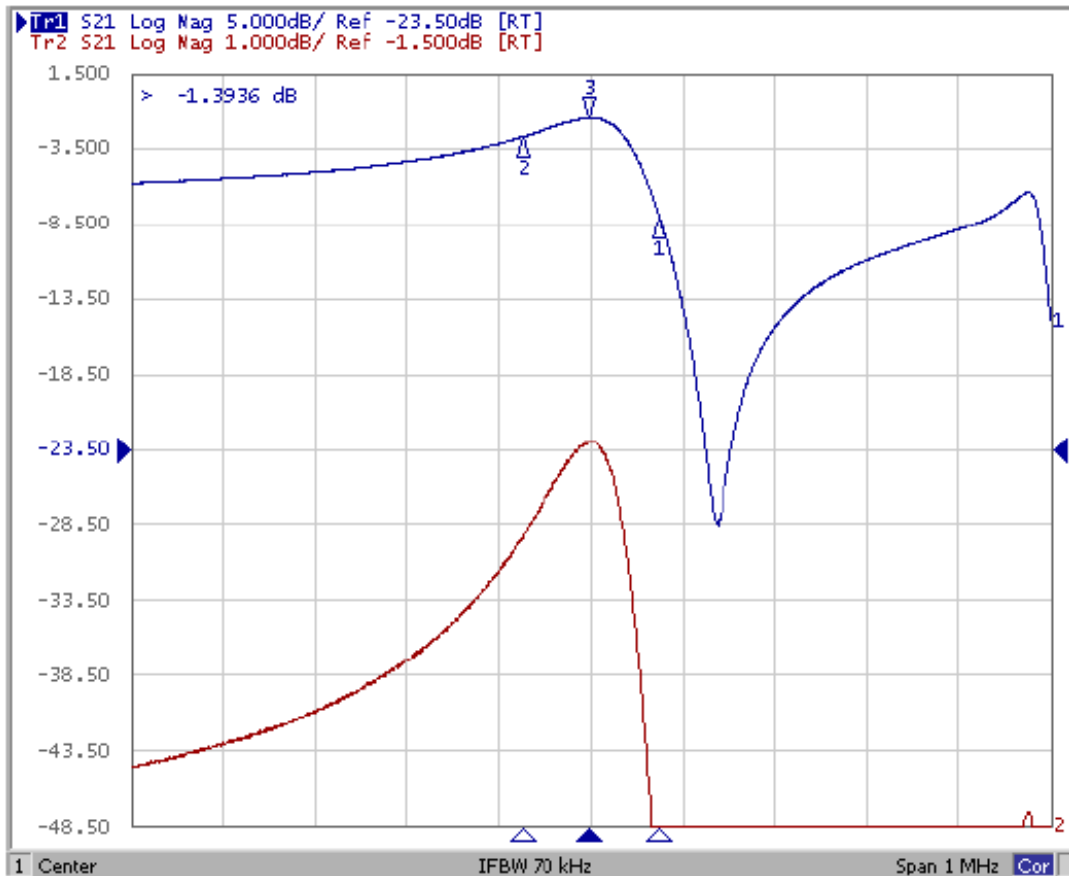


● SPECIFICATIONS

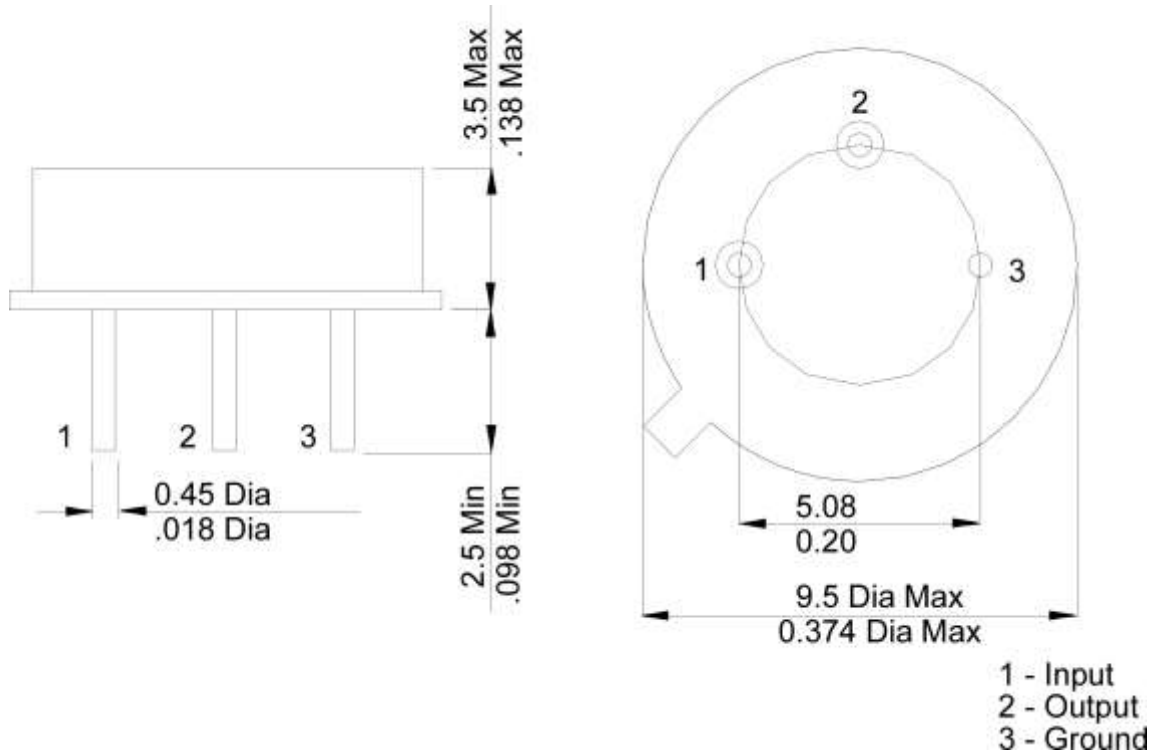
Items	Specification	Unit
Center frequency (fo)	345.000 ±0.070	MHz
Insertion Loss, Max	2.0	dB
Quality Factor Unloaded, typ	12,080	-
Quality Factor 50 Ω Loaded, typ	1,800	-
Turnover Temperature, typ	25	°C
Frequency Temperature Coefficient, typ	-0.037	ppm/°C <sup>2</sup>
Frequency Aging, max	±10	ppm/year
Insulation Resistance (DC), min	1.0	MΩ
Shunt Static Capacitance (C0), Typ	2.3	pF
DC Voltage, Max	30	V
Source Power, Max	0	dBm
Operating Temperature Range	-40 to +85	°C
Storage Temperature Range	-45 to +85	°C

● FREQUENCY CHARACTERISTICS

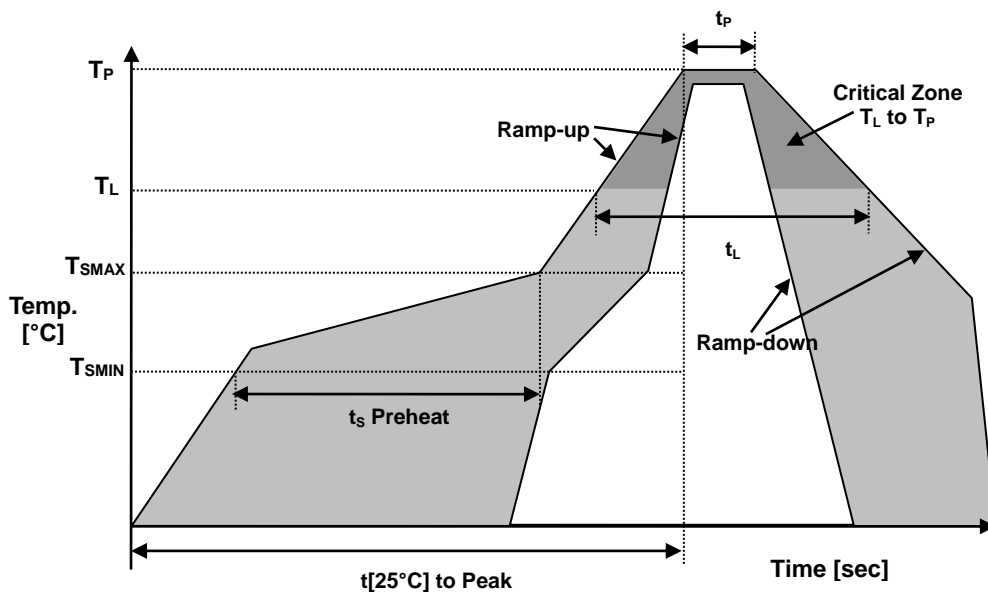


• **MECHANICAL SPECIFICATION**

**Dimension**



• **REFLOW PROFILE**



Reflow profile		
Temperature Min Preheat	T <sub>SMIN</sub>	150°C
Temperature Max Preheat	T <sub>SMAX</sub>	200°C
Time (T <sub>SMIN</sub> to T <sub>SMAX</sub> )	t <sub>S</sub>	60-180 sec.
Temperature	T <sub>L</sub>	217°C
Peak Temperature	T <sub>P</sub>	260°C
Ramp-up rate	R <sub>UP</sub>	3°C/sec max.
Ramp-down rate	R <sub>DOWN</sub>	6°C/sec max.
Time within 5°C of Peak Temperature	t <sub>P</sub>	10 sec.
Time t[25°C] to Peak Temperature	t[25°C] to Peak	480 sec.
Time	t <sub>L</sub>	60-150 sec.

● **ENVIRONMENTAL**

PARAMETER	VALUE
MOISTURE SENSITIVITY LEVEL	1
RoHS-2	6/6 COMPLIANT & LEAD FREE
REACH SVHC	COMPLIANT
HALOGEN-FREE	COMPLIANT
ESD CLASSIFICATION LEVEL	N/A
TERMINATION FINISH	Au



● **MARKING**

R345xRz

x – Internal Production ID code  
z – Date Code (year / month)

DATE CODE												
	Jan	Feb	Mar	Apr	May	Jun	Jul	Aug	Sep	Oct	Nov	Dec
2015	a	b	c	d	e	f	g	h	j	k	l	m
2016	n	p	q	r	s	t	u	v	w	x	y	z
2017	A	B	C	D	E	F	G	H	J	K	L	M
2018	N	P	Q	R	SCP, February 04	T	U	V	W	X	Y	Z

● **APPROVAL**

DRAWN BY	CP, February 04, 2016
APPROVED BY	CP, February 04, 2016
REVISION	A, Initial Release B, CP October 04, 2016 Modified Insertion Loss to 2.0 dB max