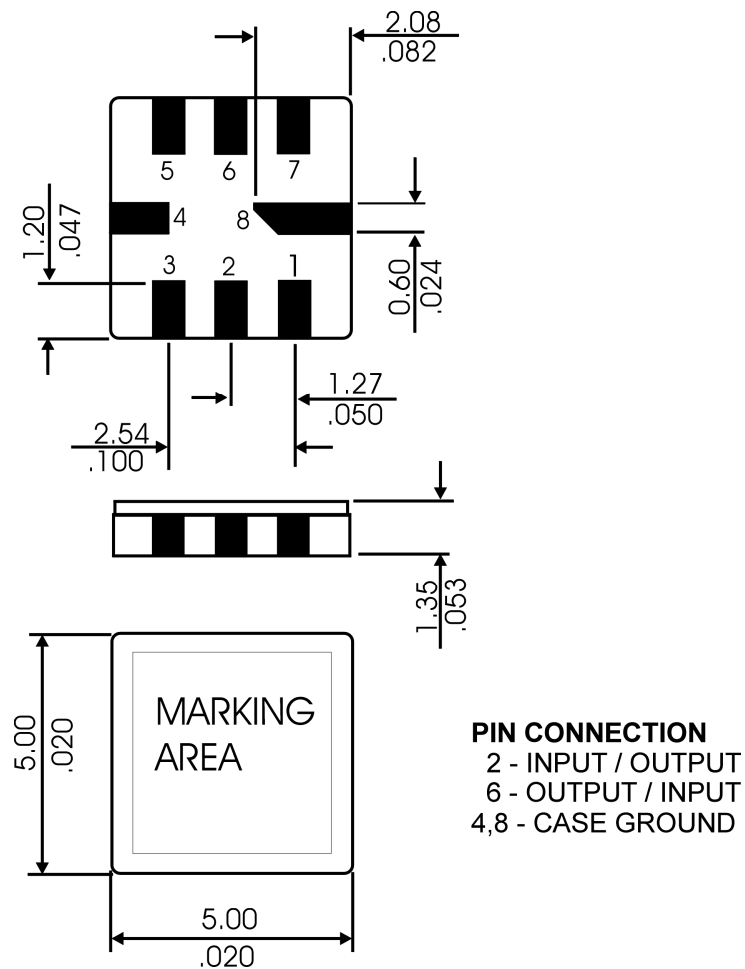
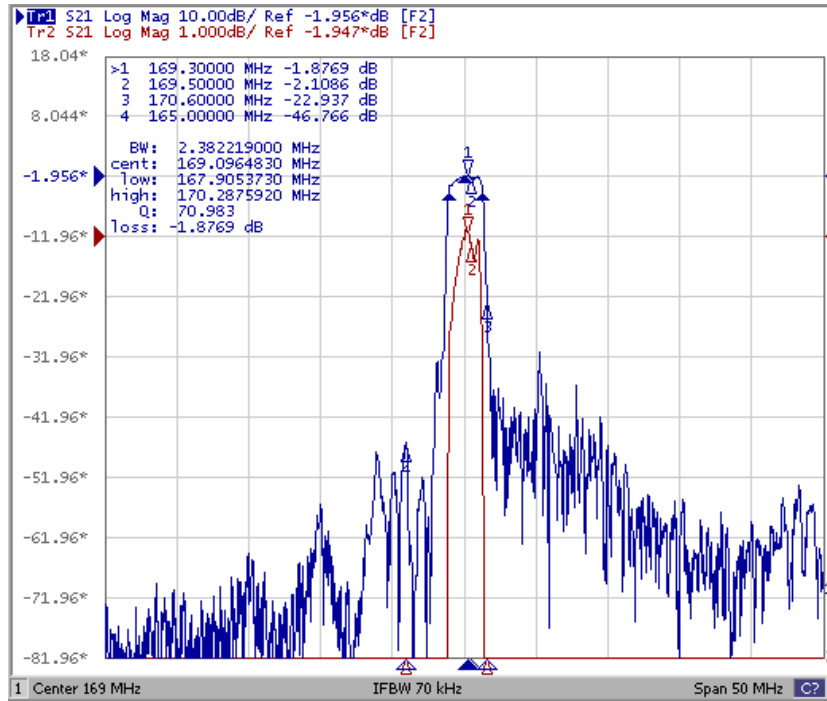


Items	Specification	Unit
Center frequency(Fo)	169.400	MHz
Bandwidth	200	KHz
Insertion Loss in BW	3.0	dB max
Attenuation	DC ~ 165 MHz	40
	165 ~ 167.4 MHz	20
	171.4 ~ 179.4 MHz	20
	179.4 ~ 1500 MHz	38
In/Out Impedance	50 Ω	
Input power Maximum	10 dBm	
DC Maximum Voltage	10 VDC	
Operation Temperature	-40°C to +85°C	
Storage Temperature	-45°C to +85°C	

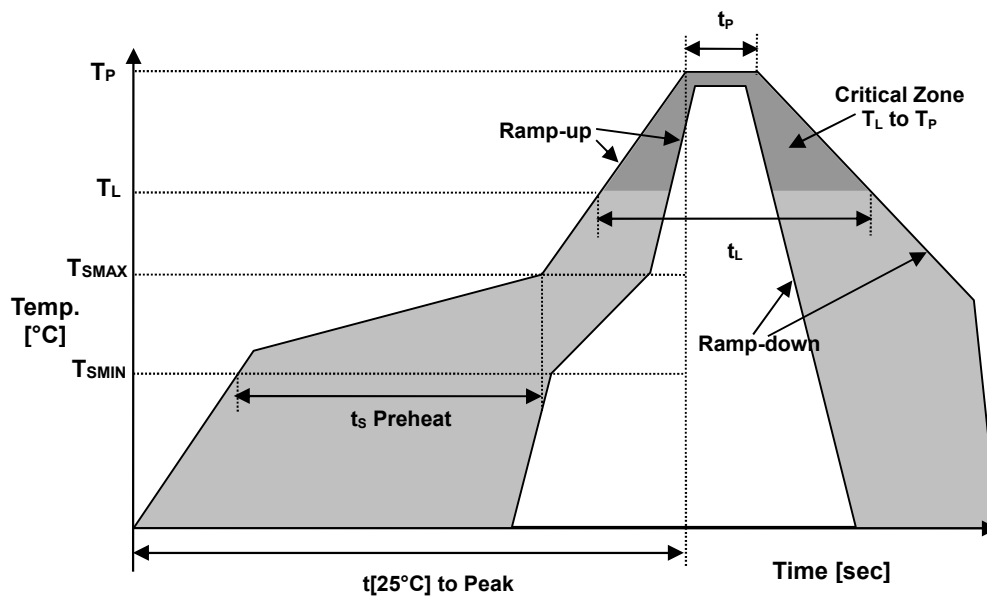
Dimension



Frequency Characteristics



● **REFLOW PROFILE**



Reflow profile		
Temperature Min Preheat	T_{SMIN}	150°C
Temperature Max Preheat	T_{SMAX}	200°C
Time (T_{SMIN} to T_{SMAX})	t_S	60-180 sec.
Temperature	T_L	217°C
Peak Temperature	T_P	260°C
Ramp-up rate	R_{UP}	3°C/sec max.
Ramp-down rate	R_{DOWN}	6°C/sec max.
Time within 5°C of Peak Temperature	t_P	10 sec.
Time t[25°C] to Peak Temperature	t[25°C] to Peak	480 sec.
Time	t_L	60-150 sec.

Environmental

PARAMETER	VALUE
MOISTURE SENSITIVITY LEVEL	1
REACH – SVHC	Compliant
RoHS 2	6/6

April 2016