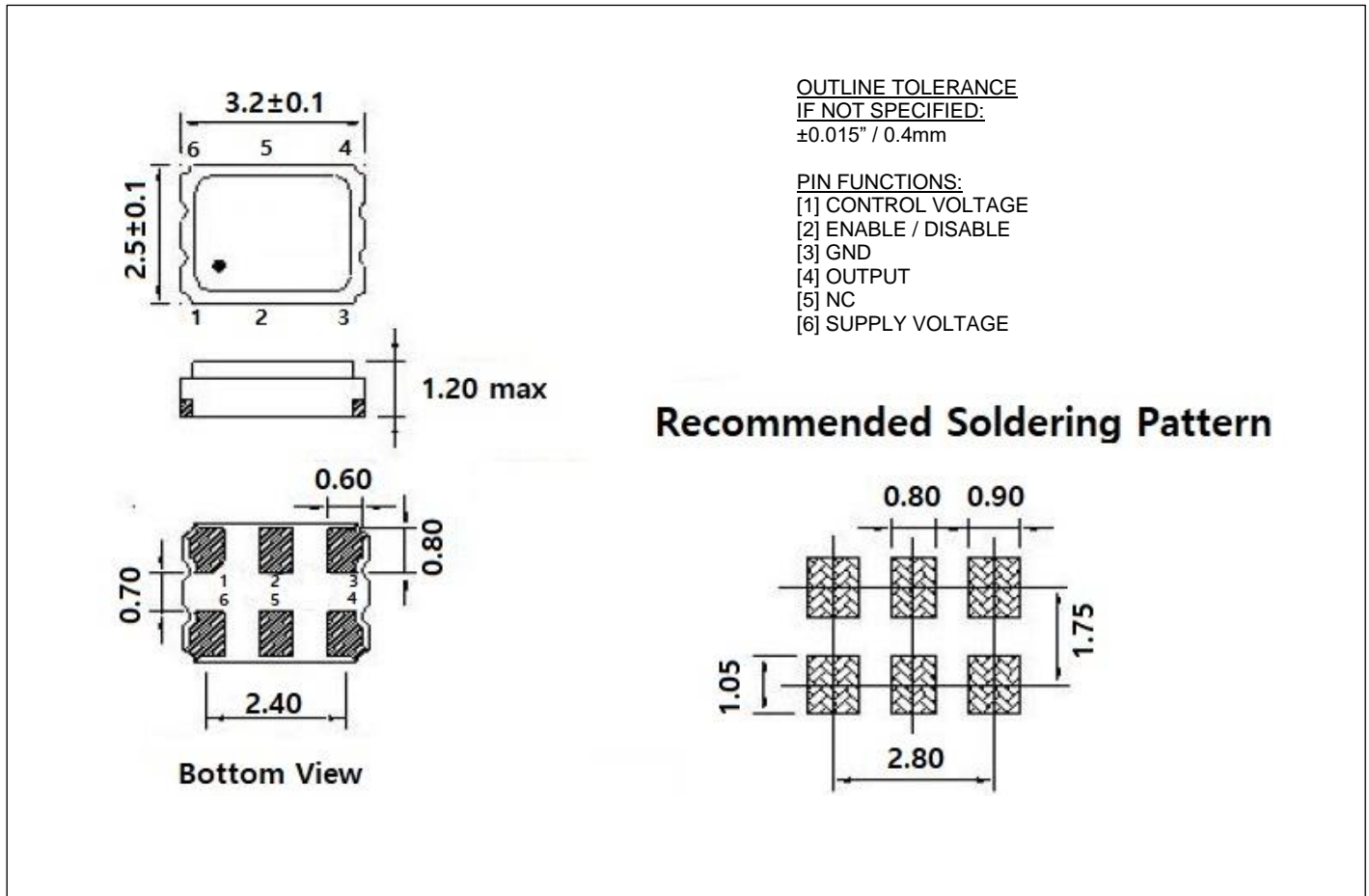


■ ELECTRICAL SPECIFICATION

PARAMETER		VALUE
Frequency Range (F ₀)		1.250 ~ 70.000 MHz
Supply Voltage (V _s)		3.3 ± 10% VDC
Control Voltage Range (V _{CC})		1.65 ± 1.35 VDC
Input Current		15 mA max
Frequency Stability		±20 ppm, ±50 ppm, ±100 ppm
Frequency Adjustment Range		±50 ppm min, ±100 ppm min
Operating Temperature Range		-10 ~ +70°C -40 ~ +85°C
Storage temperature Range		-55 ~ +125°C
Output CMOS	Symmetry at 50% V _s	40% ~ 60% Standard 45% ~ 55% Tight
	Rise / Fall Time	6 ns max
	Logic "0" Level	V _s x 0.1 V max
	Logic "1" Level	V _s x 0.9 V min
	Load	15 pF max
Enable / Disable Function		Pin 1: High or Open / Output enabled (Pins 4 & 5) Pin 1: Low / Output disabled (High impedance)
RMS Phase Jitter (12kHz ~ 20 MHz)		1 ps max
Peak to Peak Period Jitter		30 ps typ

MECHANICAL SPECIFICATION



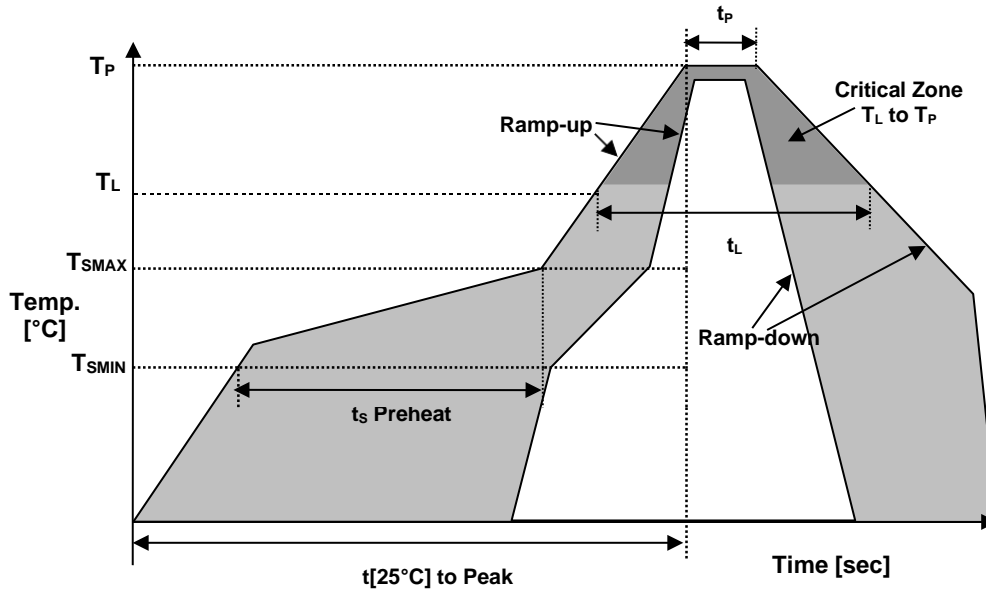
PART NUMBERING SYSTEM

TYPE	SERIES	VOLTAGE (V)	STABILITY (ppm)	-	TEMPERATURE RANGE (°C)	-	PULLABILITY (ppm)	-	SYMMETRY (%)	-	FREQUENCY (MHz)
VO	3	3: 3.3	20: ±20 50: ±50 10: ±100	-	JZ: -10 ~+70 HZ: -20 ~+70 D3 :-40 ~+85	-	50: ±50 100: ±100	-	blank: 40~ 60 T: 45~55	-	1.250 ~ 70.000

EXAMPLE: VO3325-D3-100-T-30.000

Surface Mount VO3 Series CMOS VCXO, 3.2 x 2.5 mm, 3.3 VDC Supply Voltage, ±25 ppm Stability from -40°C to +85°C, ±100 ppm Frequency Adjustment Range, Symmetry 45% to 55%, 30.000 MHz

REFLOW PROFILE



Reflow profile		
Temperature Min Preheat	T_{SMIN}	150°C
Temperature Max Preheat	T_{SMAX}	200°C
Time (T_{SMIN} to T_{SMAX})	t_s	60-180 sec.
Temperature	T_L	217°C
Peak Temperature	T_P	260°C
Ramp-up rate	R_{UP}	3°C/sec max.
Ramp-down rate	R_{DOWN}	6°C/sec max.
Time within 5°C of Peak Temperature	t_p	10 sec.
Time $t[25^\circ\text{C}]$ to Peak Temperature	$t[25^\circ\text{C}]$ to Peak	480 sec.
Time	t_L	60-150 sec.

ENVIRONMENTAL

PARAMETER	VALUE
MOISTURE SENSITIVITY LEVEL	1
REACH SVHC	COMPLIANT
RoHS	COMPLIANT
TERMINATION FINISH	Au

