

SERIES RTX-231 AND RTV-231

FEATURES

- LOW PROFILE PACKAGE
- TOLERANCE AND STABILITY TO ± 2.5 PPM
- LOW COST

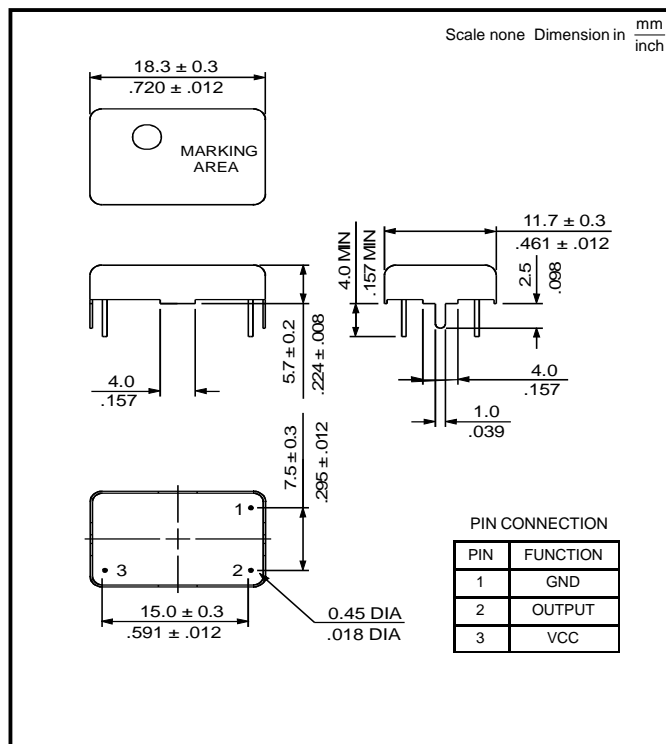
SPECIFICATIONS

SERIES		RTX-231 AND RTV-231
FREQUENCY RANGE		9.60 MHz TO 45.00 MHz
FREQUENCY STABILITY OVER TEMPERATURE RANGE†		± 2.5 PPM
OPERATING TEMPERATURE RANGE		-30°C TO +75°C
EXTENDED TEMPERATURE RANGE		-40°C TO +85°C
FREQUENCY STABILITY VS. SUPPLY VOLTAGE		0.3 PPM AT +5V $\pm 5\%$
INPUT	VOLTAGE†	+5V $\pm 5\%$
	CURRENT	2.0 mA MAX
OUTPUT	WAVEFORM†	CLIPPED SINEWAVE OR CMOS/TTL
	LOAD	10 K OHM / 10pF OR 2 TTL/15 pF
	VOLTAGE	1Vp-p MIN
AGING		± 1 PPM PER YEAR MAX
FREQUENCY ADJUSTMENT		± 3 PPM MIN
FREQUENCY DEVIATION		± 8 PPM TO ± 15 PPM (+2.5 VDC ± 2.0 V)
OPERABLE TEMPERATURE RANGE		-40°C TO +85°C



† OTHER STABILITIES OVER TEMPERATURE, +3.0 V SUPPLY AND OUTPUT WAVEFORMS ARE AVAILABLE

OUTLINE DRAWING



PART NUMBERING SYSTEM

TYPE	REVISION	SERIES	FREQUENCY STABILITY	TEMPERATURE RANGE	VOLTAGE	FREQUENCY CONTROL (RTV ONLY)	TRIMMER	WAVEFORM	FREQUENCY
RTX RTV	TBD*	231	E: ± 2.5 PPM	F1: -30°C TO 75°C D3: -30°C TO 75°C (EXTENDED)	5: +5.0 VDC $\pm 5\%$	X: ± 8 PPM TO ± 15 PPM (+2.5 V ± 2 V)	T	S: CLIPPED SINE C: CMOS/TTL	IN MHz

EXAMPLE: RTX*-231EF15-TS-10.000