

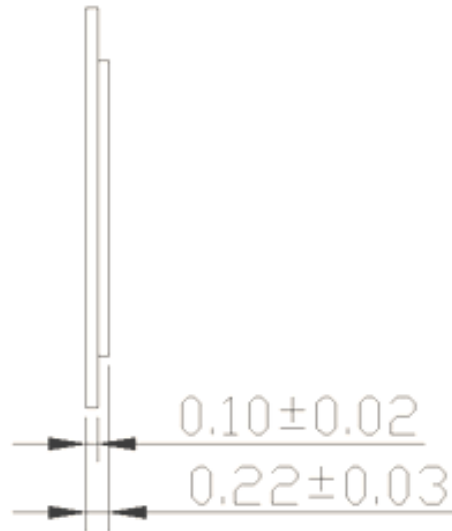
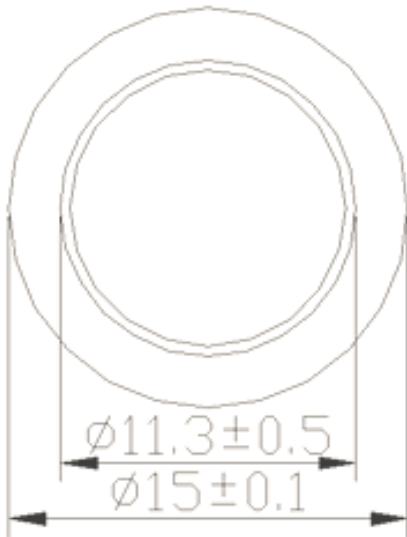


### Electrical Specifications

PARAMETERS		VALUE	UNIT
Frequency		6000±500	Hz
Capacitance	@ 120Hz	15000±30%	pF
Resonant Impedance, max		400	Ω
Metal Material		Brass	-
Standard Test Conditions	Temperature	25 ± 1	°C
	Humidity	45~75	%
	Air Pressure	86~106	kPa
Operating Temperature Range		-20 ~ +60	°C
Storage Temperature Range		-30 ~ +70	°C

PIEZOELECTRIC ELEMENTS MANUAL SOLDERING PROCESS			SOLDERING PARAMETER		
			TEMP. (°C)	TIME (SEC.)	TIMES
Lead Free	★	Silver Electrode	310 ± 10	2 Seconds or Less	1 ~ 2
	★	Metal Plate	330 ± 10	3 Seconds or Less	1 ~ 2
Inclusive Lead		Silver Electrode	280 ± 10	1.5 Seconds or Less	1 ~ 2
		Metal Plate	320 ± 10	2 Seconds or Less	1 ~ 2
Solder Dot	Diameter, max 3.0 mm				
	High, max 1.5 mm				
Soldering Sequence	1 Silver Electrode				
	2 Metal Plate				

### Dimension



Unit: mm

### • APPROVAL

DRAWN BY	AR, May 30, 2024
APPROVED BY	CP, May 30, 2024
REVISION	A, Initial Release

Raltron Electronics / RAMI Technology USA, LLC, including its affiliates, employees, agents and other persons acting on its behalf (collectively Raltron/RAMI Tech), disclaim any and all liability for any errors or inaccuracies contained in this data sheet. While Raltron/RAMI Tech has made every reasonable effort ensure the accuracy of all product information, specifications and data contained herein, Raltron/RAMI Tech does not guarantee that the information is accurate, reliable or current. The product information is provided only for reference purposes only and is subject to change, correction or revision, at any time without notice. Raltron/RAMI Tech does not assume any liability arising out of an application or use of any product described herein and disclaims any warranties expressed or implied. The user of products in such applications shall assume all risks of such use and will agree to hold Raltron/RAMI Tech, harmless against all damages.

Copyright © 2016, Raltron Electronics / RAMI Technology USA, LLC. All rights reserved. No part of this document may be reproduced in any form without the prior written permission of Raltron Electronics / RAMI Technology USA, LLC.