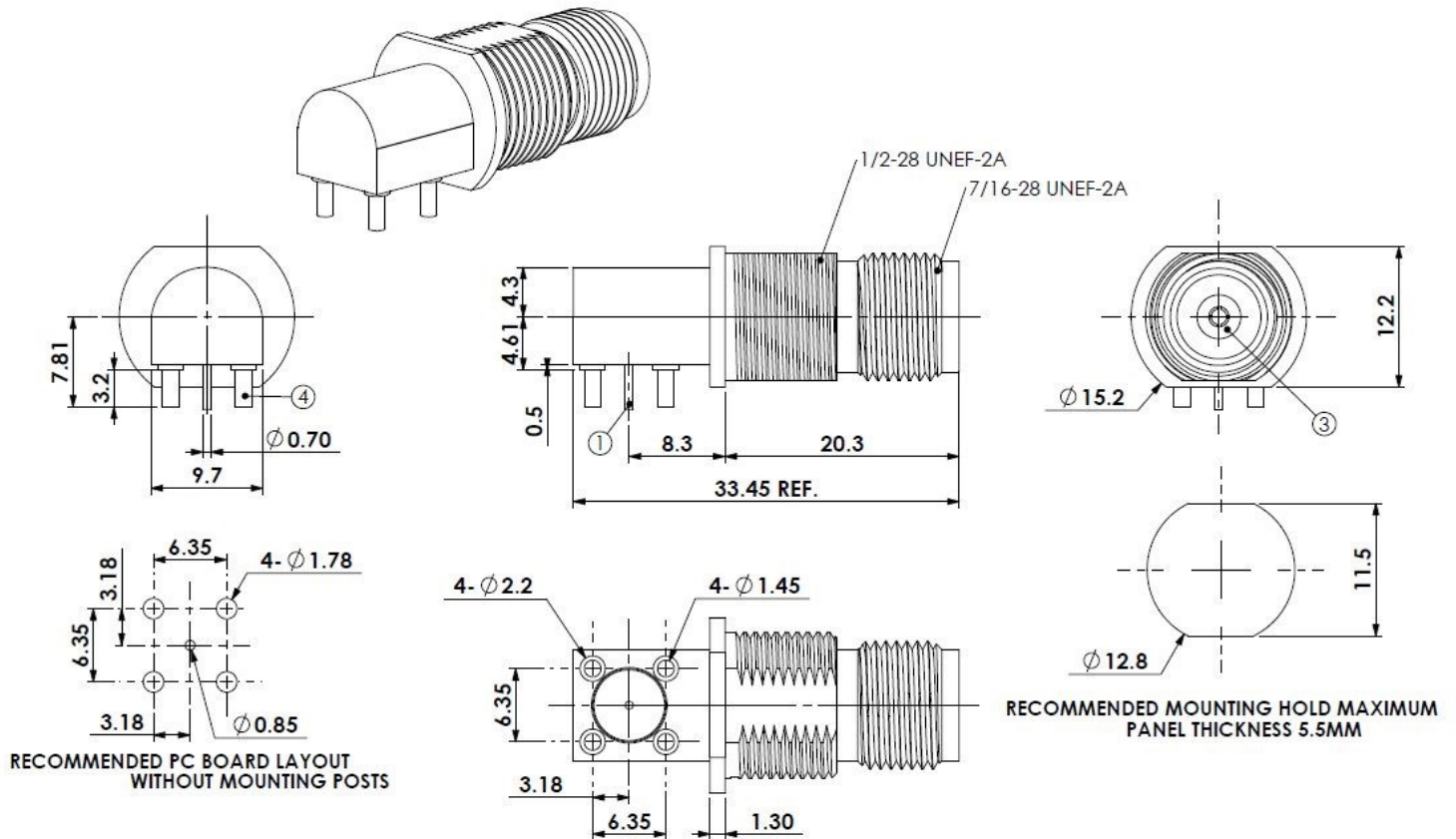



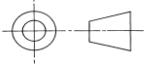
## ❖ ELECTRICAL SPECIFICATION

PARAMETER	VALUE	UNIT
Frequency Range	0 –6	GHz
Impedance	50	$\Omega$
Working Voltage, max	500	Vrms
Dielectric Withstanding Voltage, max	1000	Vrms

## ❖ DIMENSIONS



Description	Material	Finished
Body	Zinc Alloy	Nickel
Contact	P.Bronze	Gold
Insulator	P. E	None

					 A RAM TECHNOLOGY Company
Rev	Change	Date	Name		
Projection	Scale	Date	Name	Description	
	--	Drawn	09.24.2018	AR	
Dimensions in mm		Checked	09.24.2018	CP	<b>TNC RIGHT ANGLE JACK FOR PCB MOUNT</b> Part Number <b>RCN-9M-4120E00A-K-001</b>
		Approved	09.24.2018	CP	