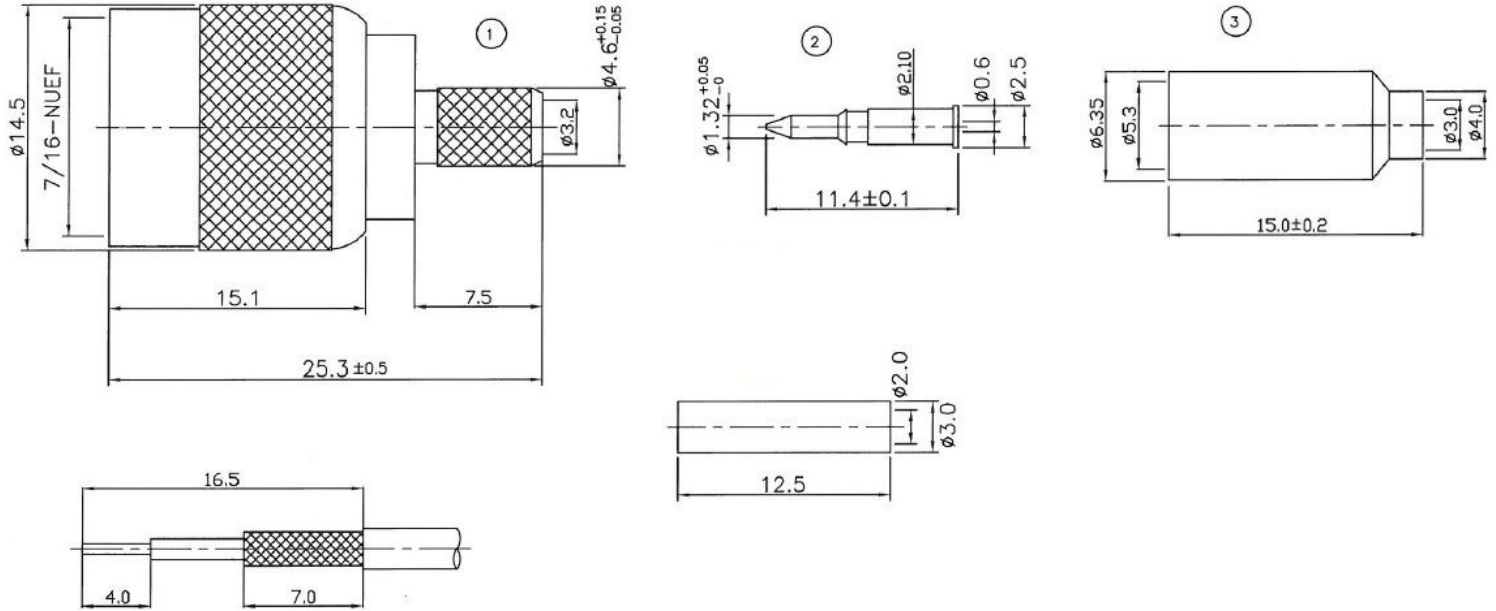


❖ DIMENSIONS



Recommended Stripping Cable Dim's

| Item | Description  | Material | Finished |
|------|--------------|----------|----------|
| 1    | Body         | Brass    | Nickel   |
|      | Insulator    | Delrin   | Natural  |
|      | Washer       | Brass    | Nickel   |
|      | Washer       | Steel    | Nickel   |
|      | Washer       | Steel    | Nickel   |
|      | Gasket       | PVC      | Red      |
|      | Shell        | Brass    | Nickel   |
| 2    | Contact      | Brass    | Gold     |
| 3    | Ferrule      | Brass    | Nickel   |
| 4    | Plastic Tube | Delrin   | White    |

|                  |        |          |            |            |          |   |  |  |
|------------------|--------|----------|------------|------------|----------|---|--|--|
|                  |        |          |            |            |          |   |  |  |
| Rev              | Change | Date     | Name       |            |          |   | Description<br><b>TNC STRAIGHT PLUG CRIMP FOR RG174U CABLE</b> |  |
| Projection       |        | Scale    | Date       | Name       |          |   |  |  |
|                  |        | --       | Drawn      | 09.24.2018 | AR       | Part Number<br><b>RCN-9F-4602W02A-K-001</b> |  |  |
| Dimensions in mm |        | Checked  | 09.24.2018 | CP         | <b>A</b> |   |  |  |
|                  |        | Approved | 09.24.2018 | CP         |          |   |  |  |