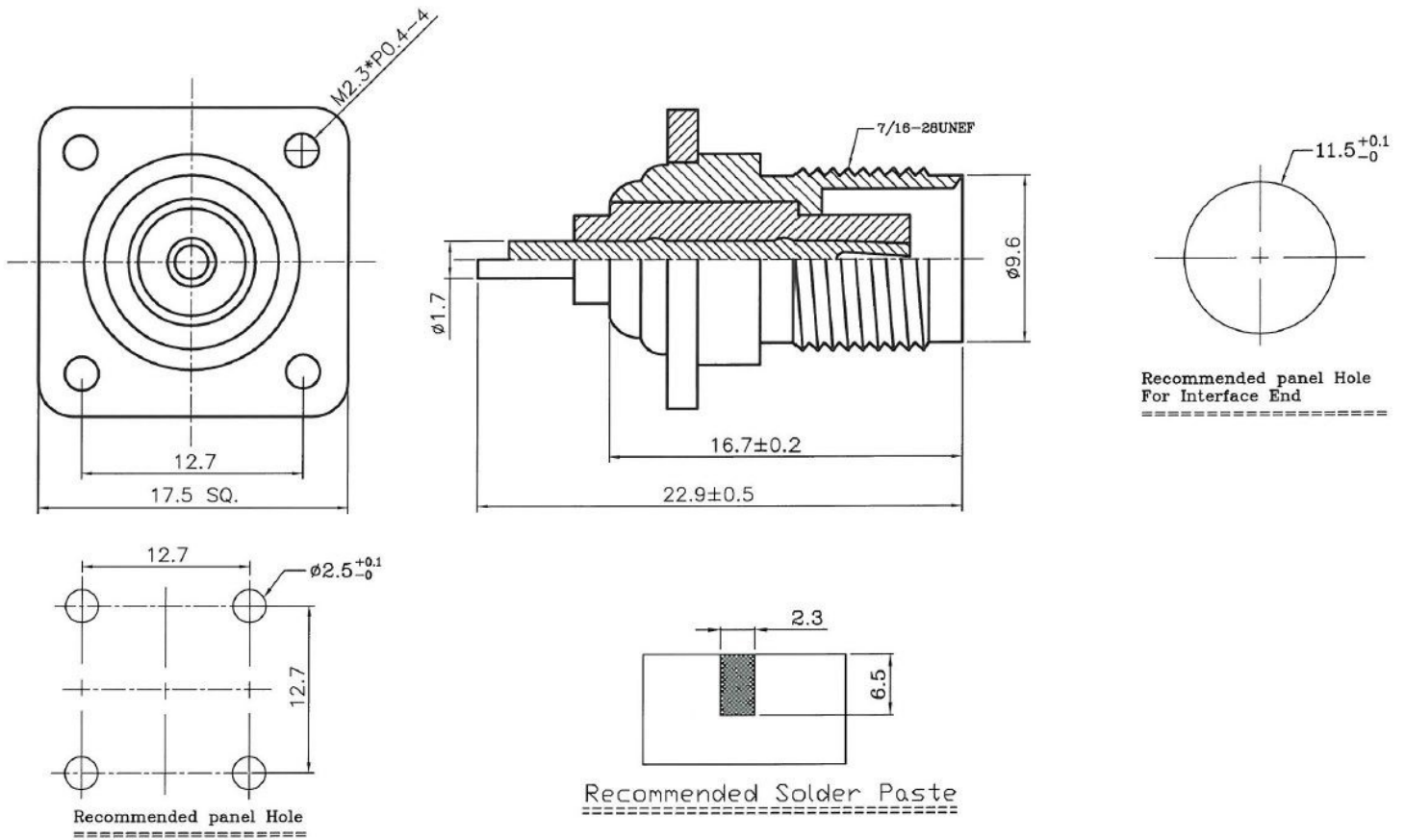




❖ DIMENSIONS



Description	Material	Finished
Body	Brass	Nickel
Contact	Brass	Gold
Insulator	Delrin	White
Panel	Brass	Nickel

						 A RAM TECHNOLOGY Company	
Rev	Change	Date	Name				
Projection	Scale	Date	Name	Description			
	--	Drawn	09.24.2018	AR	TNC ST. JACK 4HOLE Part Number RCN-9F-16805-K-001		
		Checked	09.24.2018	CP			
		Approved	09.24.2018	CP			A
Dimensions in mm							