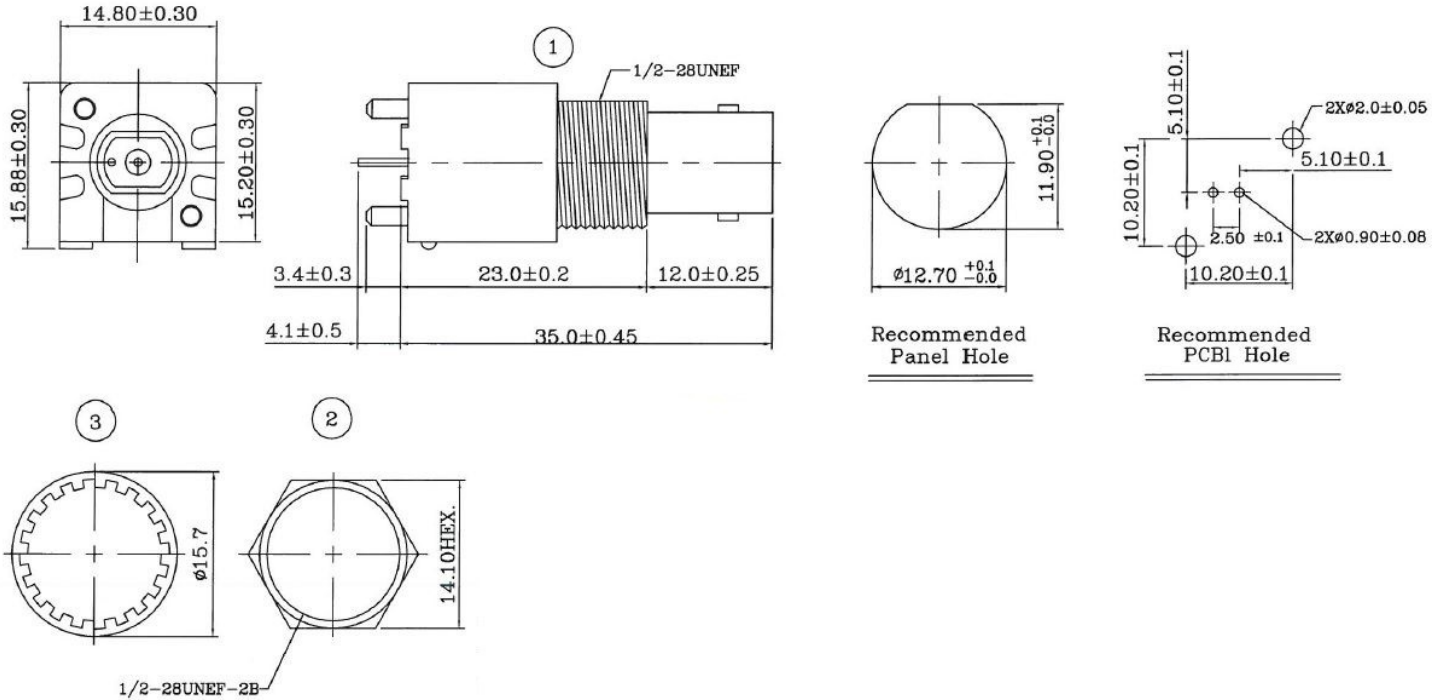




❖ ELECTRICAL SPECIFICATION

PARAMETER	VALUE	UNIT
Frequency Range	0 – 4	GHz
Impedance	50	Ω
Working Voltage	500	V
Insulation Resistance, min	5000	M Ω

❖ DIMENSIONS



Item	Description	Material	Finished
1	Post	Brass	Tin
	Housing	P.B.T +30 % GF	None
	Body	Zinc Alloy	Nickel
	Insulator	P.P UL 94HB	None
	GND	Cu Covered Steel	Tin
	Contact	P. Bronze	Gold + Tin
2	Nut	Brass	Nickel
3	Washer	SK-5	Nickel

						
Rev	Change	Date	Name			
Projection		Scale	Date			Name
		--	Date			Name
Description				BNC STRAIGHT JACK PCB RECEPTACLE		
Part Number				RCN-3F-3108-K-001		
Dimensions in mm				A		