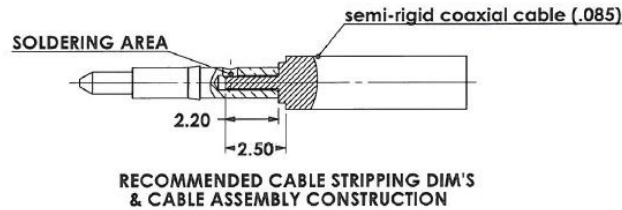
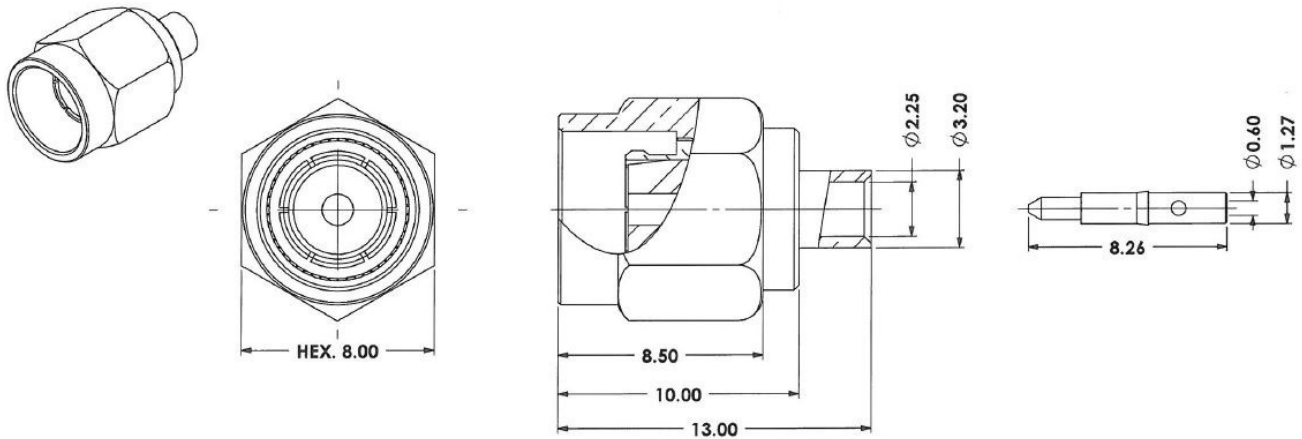


❖ ELECTRICAL SPECIFICATION

PARAMETER	VALUE	UNIT
Frequency Range	DC – 12.4	GHz
Impedance	50	Ω

❖ DIMENSIONS



Items	Description	Material	Finished
1	Body	Brass	Gold 4u"
2	Insulator	Teflon Rod	Natural
3	Outer Contact	Phosphor	Gold 4u"
4	Contact	Brass Bronze	Gold 30u"

Rev	Change	Date	Name			Description <b>SMA STRAIGHT PLUG (QUICK FIT) FOR SEMI RIGID CABLE</b>	
Projection		Scale	Date				
		--	Drawn	09.06.2018	AR	Part Number <b>RCN-1M-21419-K-001</b>	
Dimensions in mm			Checked	09.06.2018	CP		A
			Approved	09.06.2018	CP		