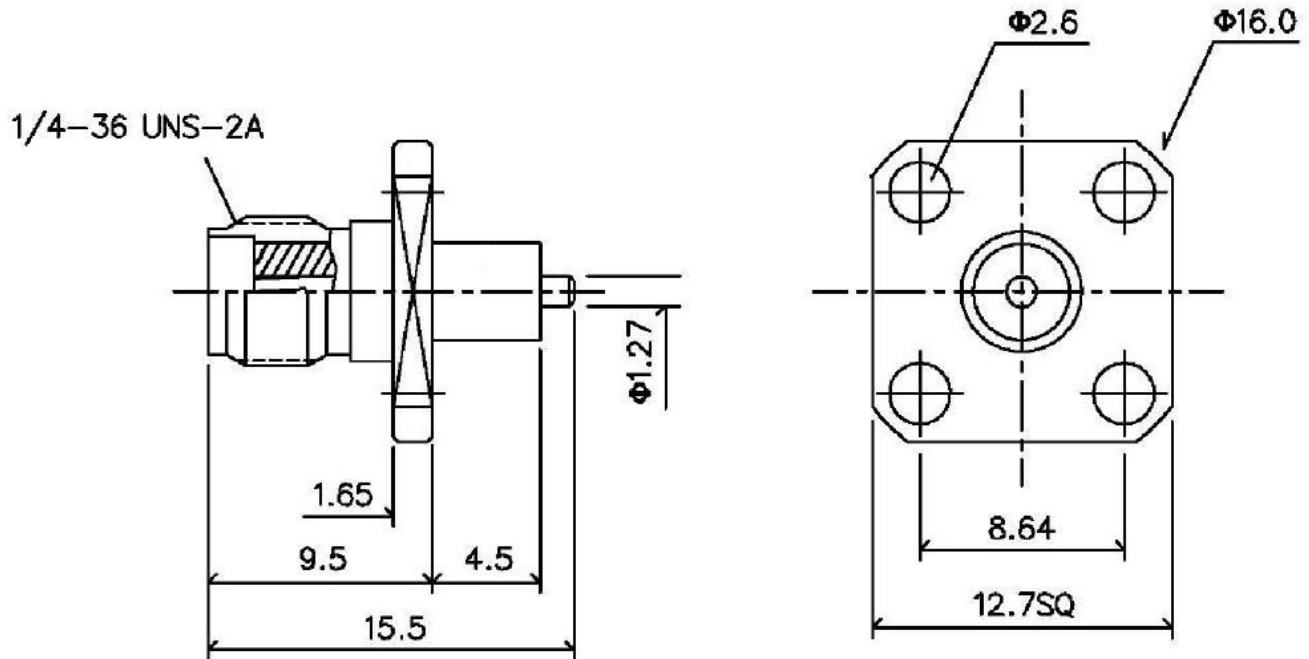



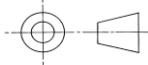
❖ ELECTRICAL SPECIFICATION

PARAMETER	VALUE	UNIT
Frequency Range	0 – 12.4	GHz
Impedance	50	$\Omega$
Working Voltage, max	500	Vrms
Dielectric Withstanding Voltage, max	1000	Vrms

❖ DIMENSIONS



Description	Material	Finished
Body	Brass	Gold
Contact	BE. Copper	Gold 30u"
Insulator	Teflon	Natural

				 A RAMI TECHNOLOGY Company	
Rev	Change	Date	Name	Description <b>SMA FEMALE PANEL 4 HOLE MOUNT</b>	
Projection	Scale	Date	Name		
	--	Drawn	09.10.2018	AR	Part Number <b>RCN-1F-21857-K-001</b>
		Checked	09.10.2018	CP	
		Approved	09.10.2018	CP	
Dimensions in mm					