

FEATURES

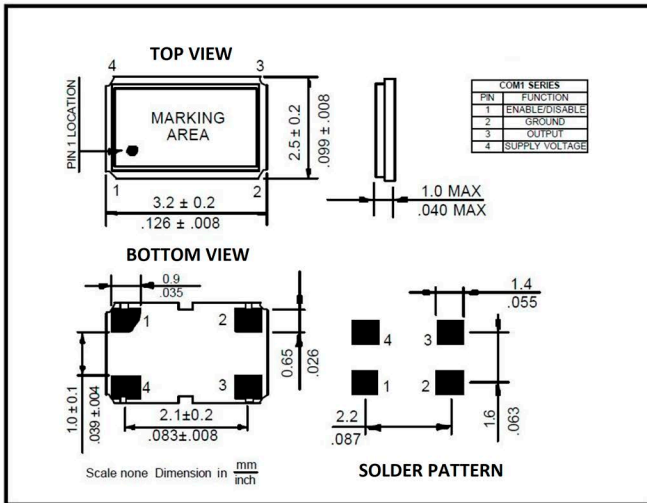
- ULTRA SMALL PACKAGE OF 3.2 x 2.5 x 1.0mm TYPICAL
- LOW SUPPLY VOLTAGE OF 1.8 AND 2.5 VDC AVAILABLE
- STANDBY FUNCTION
- LEAD FREE / RoHS COMPLIANT

SPECIFICATIONS

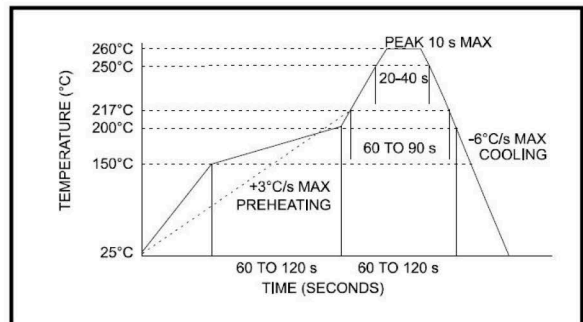
SERIES	COM118	COM125	COM13	
FREQUENCY RANGE	1.544 MHz TO 60.000 MHz			
FREQUENCY STABILITY **	COM11810 : ±100 ppm COM11805 : ±50 ppm COM118025 : ±25 ppm	COM12510 : ±100 ppm COM12505 : ±50 ppm COM125025 : ±25 ppm	COM1310 : ±100ppm COM1305 : ±50ppm COM13025 : ±25ppm	
OPERATING TEMPERATURE RANGE	-10°C TO +70°C (-40°C TO +85°C AVAILABLE)			
STORAGE TEMPERATURE RANGE	-55° C TO +125° C			
INPUT	VOLTAGE	+1.8 VDC ±5%	+2.5 VDC ±5%	+3.3 VDC ±10%
	CURRENT (MAX)	1.544 MHz TO 9.99MHz: 5 mA MAX 10.00 MHz TO 31.99 MHz: 6 mA MAX 32.00 MHz TO 60.00 MHz: 15mA MAX	1.544 MHz TO 9.99MHz: 6 mA MAX 10.00 MHz TO 31.99 MHz: 8 mA MAX 32.00 MHz TO 60.00 MHz: 20mA MAX	1.544 MHz TO 9.99MHz: 7 mA MAX 10.00 MHz TO 31.99 MHz: 10 mA MAX 32.00 MHz TO 60.00 MHz: 20mA MAX
OUTPUT	SYMMETRY	40 TO 60% AT 50% VDD (45 TO 55% AVAILABLE)		
	RISE / FALL TIME	5 ns MAX		20 ns MAX
	LOGIC "0" LEVEL	VCC X 0.1 V MAX		
	LOGIC "1" LEVEL	VCC X 0.9 V MIN		
	LOAD	15 pF (HCMOS)		
ENABLE/DISABLE FUNCTION	PIN 1: HIGH OR OPEN PIN 3: OSCILLATION PIN 1: LOW PIN 3: HIGH IMPEDANCE			
START UP TIME	10 ms MAX			
STANDBY CURRENT	10 µA MAX			

** INCLUSIVE OF 25°C TOLERANCE, OPERATING TEMPERATURE RANGE, VOLTAGE OR LOAD CHANGES, AGING, SHOCK AND VIBRATION. CONSULT FACTORY FOR TIGHTER STABILITY OPTIONS.

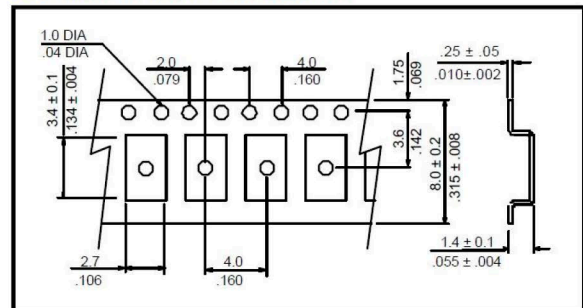
OUTLINE DRAWING



REFLOW SOLDERING PROFILE



CARRIER TAPE DIMENSIONS



PACKAGING

178 mm REEL DIAMETER, 8mm TAPE WIDTH, 4mm PITCH
QUANTITY: 3000 PIECES PER REEL

PART NUMBERING SYSTEM

SERIES	SUPPLY VOLTAGE	FREQUENCY STABILITY	FREQUENCY	EXTENDED TEMPERATURE	DUTY CYCLE	TAPE & REEL
COM1	18 1.8V	10 ±100 PPM	IN MHz	EXT	T 45% TO 55%	TR
	25 2.5V	05 ±50 PPM				
	3 3.3V	025 ±25 PPM				

EXAMPLES: COM1306-26.000-EXT-T-TR