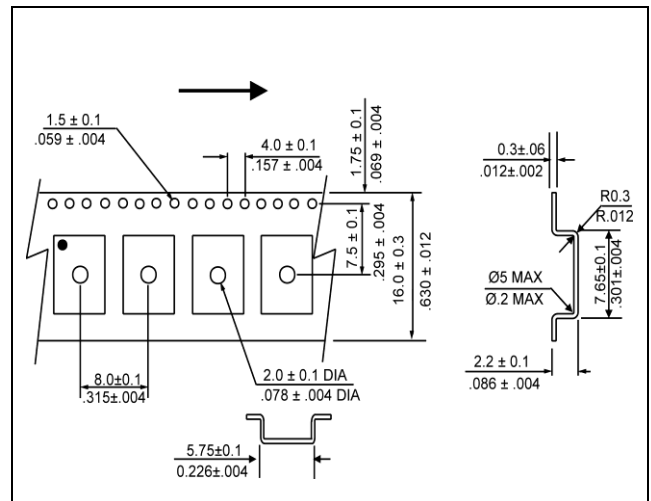
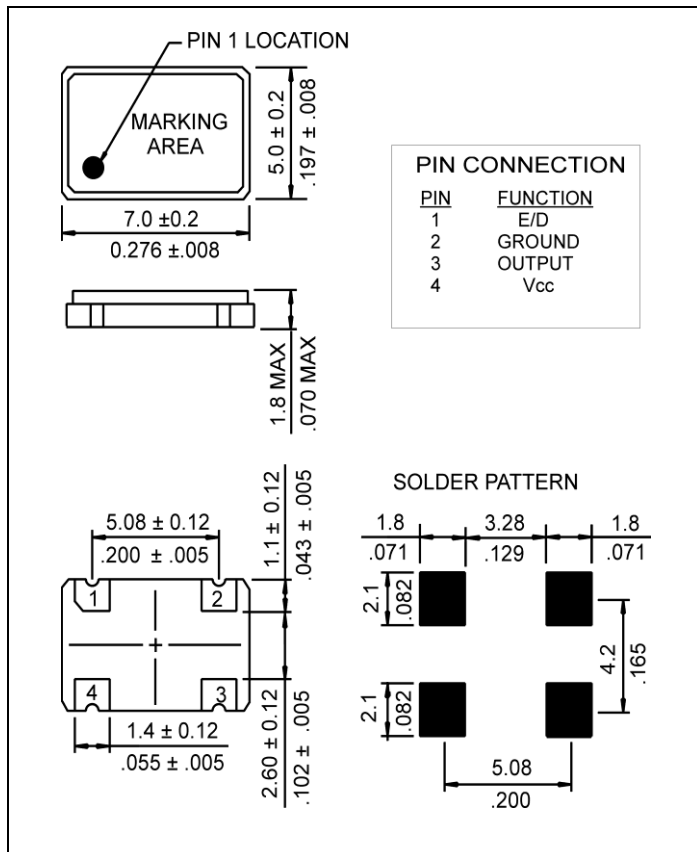


ELECTRICAL SPECIFICATION

| PARAMETER | SYMBOL | CONDITIONS | VALUE | UNIT |
|-------------------------------|------------------------------------|---|--------------------|------------|
| Frequency, nom | fo | - | 10.000 | MHz |
| Supply voltage, nom. | Vcc | Vcc ±10% | 3.3 | V |
| Supply current, max. | Is | Vcc=3.3 VDC; Ta=+25°C; Load=20 pF CMOS or 5 TTL MAX | 25 | mA |
| Output Voltage Levels | V _{OH} V _{OL} | Logic 1 Logic 0 | 2.8 min 0.4 max | VDC VDC |
| Duty cycle | DC | @ 50% of signal | 40...60 | % |
| Rise time / Fall time, max. | tr / tf | 20%~80% Vout, 80%~20% Vout, | 4 | ns |
| Jitter, RMS, max. | J | 1σ, 12KHz < F _J < 20MHz | 1.0 | ps |
| Overall freq. stability, max. | Δf/fc | Inclusive of 25° Tolerance, Operating Temperature Range, Voltage & Load Variations, Aging, Shock and Vibration. | ±100 | ppm |
| Output Enabled / Disabled | En Dis | Pin 1: High Voltage or No Connect, Pin 3 Enabled Pin 1: Ground, Pin 3 Disabled | 2.2 min 0.8 ma | VDC VDC |
| Operating temperature range | Ta | - | -10...+70 | °C |
| Storage temperature range | T(stg) | - | -55...+125 | °C |

MECHANICAL SPECIFICATION



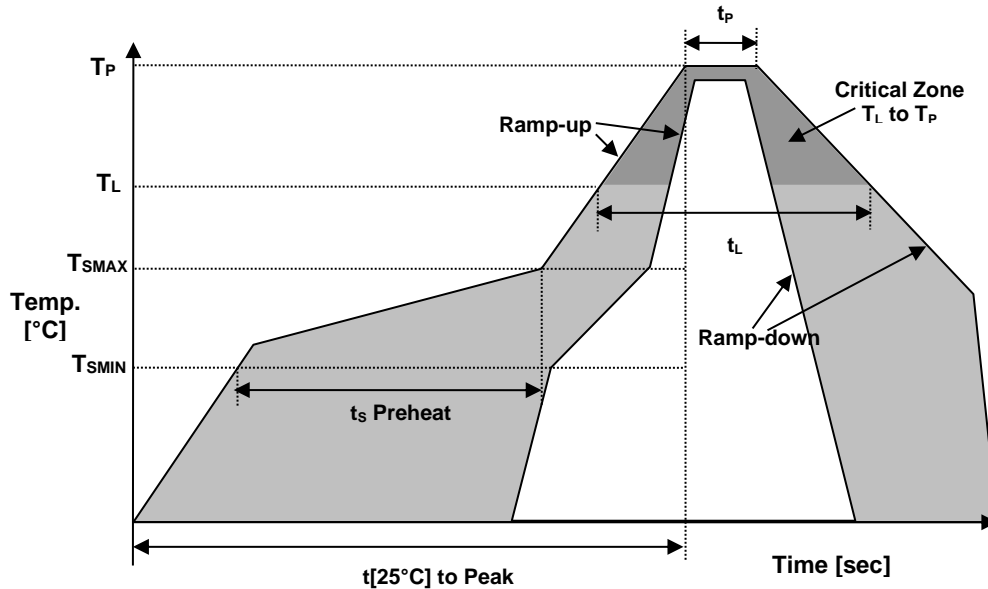
PACKAGING

254 mm REEL DIAMETER
16 mm TAPE WIDTH, 8 mm PITCH
QUANTITY: 1000 PIECES PER REEL

IN ACCORDANCE WITH EIA-481

OUTLINE TOLERANCE: ±0.015" / 0.4mm (Unless otherwise specified)

● REFLOW PROFILE



| Reflow profile | | |
|-------------------------------------|-----------------|--------------|
| Temperature Min Preheat | T_{SMIN} | 150°C |
| Temperature Max Preheat | T_{SMAX} | 200°C |
| Time (T_{SMIN} to T_{SMAX}) | t_s | 60-180 sec. |
| Temperature | T_L | 217°C |
| Peak Temperature | T_P | 260°C |
| Ramp-up rate | R_{UP} | 3°C/sec max. |
| Ramp-down rate | R_{DOWN} | 6°C/sec max. |
| Time within 5°C of Peak Temperature | t_P | 10 sec. |
| Time t[25°C] to Peak Temperature | t[25°C] to Peak | 480 sec. |
| Time | t_L | 60-150 sec. |

● ENVIRONMENTAL

| PARAMETER | VALUE |
|----------------------------|-----------|
| MOISTURE SENSITIVITY LEVEL | 1 |
| RoHS | Compliant |
| REACH-SVHC | Compliant |
| HALOGEN-FREE | Compliant |
| TERMINATION FINISH | Au |
| UNIT WEIGHT (grams) | 0.155 |



● MARKING

Rxx10.0
•3Cyww

x – Internal Production ID code
y – Year code
w – Week code

| YEAR CODE | |
|-----------|------|
| Year | Code |
| 2019 | 9 |
| 2020 | 0 |
| 2021 | 1 |
| 2022 | 2 |
| 2023 | 3 |
| 2024 | 4 |
| 2025 | 5 |
| 2026 | 6 |
| 2027 | 7 |
| 2029 | 8 |
| 2029 | 9 |

| ALPHA WEEK CODE TABLE | | | | | |
|-----------------------|------|------|------|------|------|
| Week | Code | Week | Code | Week | Code |
| 1 | a | 19 | s | 37 | K |
| 2 | b | 20 | t | 38 | L |
| 3 | c | 21 | u | 39 | M |
| 4 | d | 22 | v | 40 | N |
| 5 | e | 23 | w | 41 | O |
| 6 | f | 24 | x | 42 | P |
| 7 | g | 25 | y | 43 | Q |
| 8 | h | 26 | z | 44 | R |
| 9 | i | 27 | A | 45 | S |
| 10 | j | 28 | B | 46 | T |
| 11 | k | 29 | C | 47 | U |
| 12 | l | 30 | D | 48 | V |
| 13 | m | 31 | E | 49 | W |
| 14 | n | 32 | F | 50 | X |
| 15 | o | 33 | G | 51 | Y |
| 16 | p | 34 | H | 52 | Z |
| 17 | q | 35 | I | | |
| 18 | r | 36 | J | | |

● APPROVAL

| | |
|--------------|---|
| DRAWN BY: | KJackson, March 21, 2014 |
| APPROVED BY: | KJackson, March 21, 2014 |
| REVISION: | A, Initial Release |
| | B, Updated to current spec levels KJ 11/24/20 |

Raltron Electronics / RAMI Technology USA, LLC, including its affiliates, employees, agents and other persons acting on its behalf (collectively Raltron/RAMI Tech), disclaim any and all liability for any errors or inaccuracies contained in this data sheet. While Raltron/RAMI Tech has made every reasonable effort to ensure the accuracy of all product information, specifications and data contained herein, Raltron/RAMI Tech does not guarantee that the information is accurate, reliable or current. The product information is provided only for reference purposes only and is subject to change, correction or revision, at any time without notice. Raltron/RAMI Tech does not assume any liability arising out of an application or use of any product described herein and disclaims any warranties expressed or implied. The user of products in such applications shall assume all risks of such use and will agree to hold Raltron/RAMI Tech, harmless against all damages.

Copyright © 2016, Raltron Electronics / RAMI Technology USA, LLC. All rights reserved. No part of this document may be reproduced in any form without the prior written permission of Raltron Electronics / RAMI Technology USA, LLC.