

● Features

- Wide Frequency Range
- Optional internal load capacitance
- Compact Design of 2.5 x 2.0 x 1.2 mm

● Applications

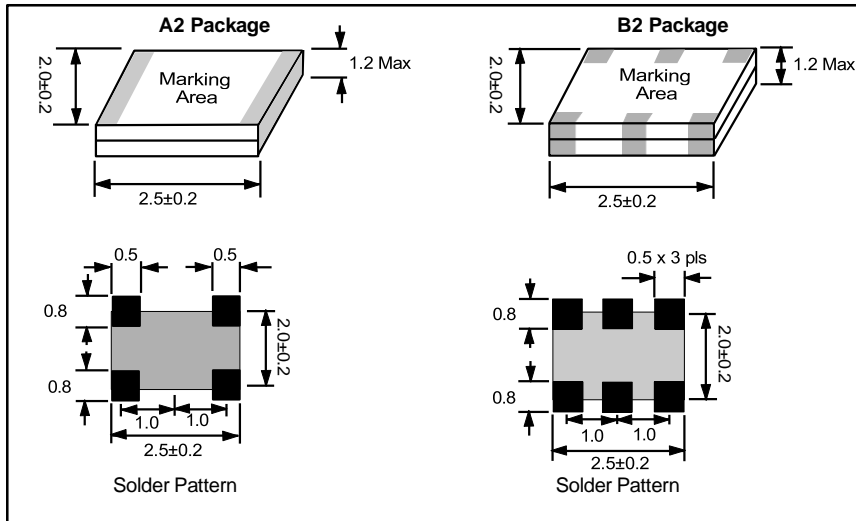
- Computers and Peripherals
- Consumer Products

● Specifications

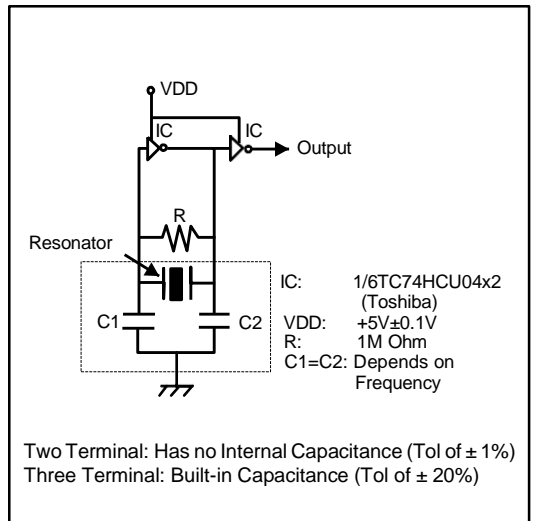
Parameter		Specification
Frequency Range		20.00 to 48.00 MHz
Frequency Tolerance at 25° C		±0.5% Maximum
Frequency Stability over Temperature		±0.3% Maximum from initial value
Temperature Range	Operating	-20° C to +80° C
	Storage	-40° C to +85° C
Aging		±0.3 % Maximum over 10 years
Resonant Resistance		70 Ohm Maximum
Built in Capacitance		8 to 12 pF (Three Terminal Only)



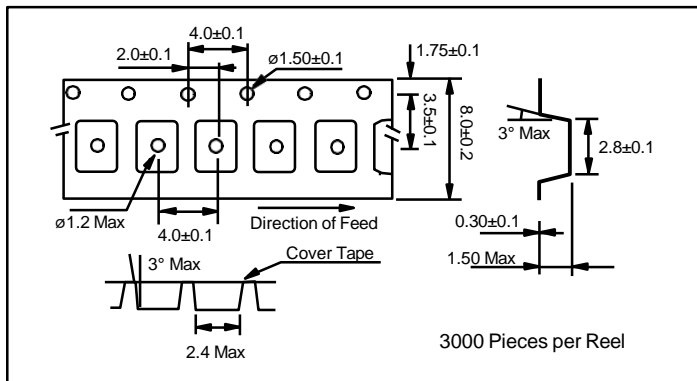
● SMD Package Dimensions



● Test Circuit



● CarrierTape Dimensions



● Part Numbering System

Series	Frequency	Package Type
SMRS	in MHz	A2 (Two Terminal)
		B2 (Three Terminal)

Example: SMRS-33.86-B2

Packaging: 3000 per Reel

● Features

- Wide Frequency Range
- Optional internal load capacitance
- Compact Design of 3.7 x 3.1 x 1.5 mm

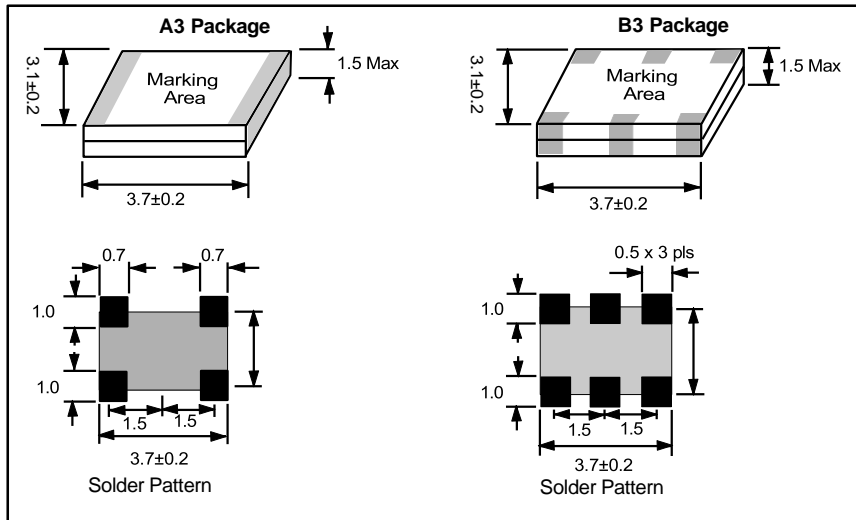
● Applications

- Computers and Peripherals
- Consumer Products

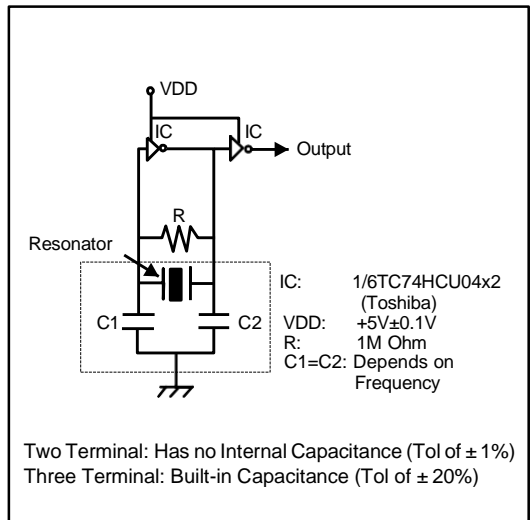
● Specifications

Parameter		Specification
Frequency Range		8.00 to 50.00 MHz
Frequency Tolerance at 25° C		±0.5% Maximum
Frequency Stability over Temperature		±0.3% Maximum from initial value
Temperature Range	Operating	-20° C to +80° C
	Storage	-40° C to +85° C
Aging		±0.3 % Maximum over 10 years
Resonant Resistance		50 Ohm Maximum
Built in Capacitance		10 to 16 pF (Three Terminal Only)

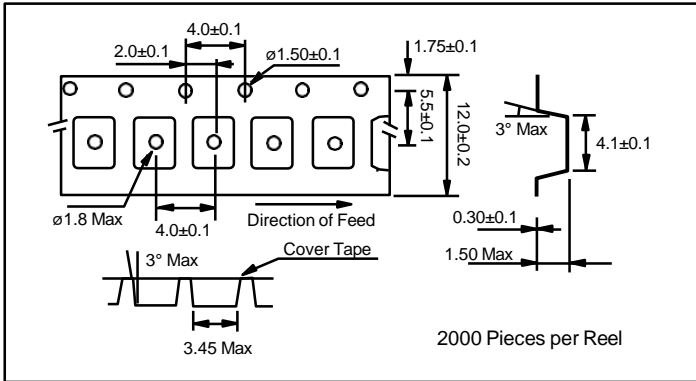
● SMD Package Dimensions



● Test Circuit



CarrierTape Dimensions



Part Numbering System

Series	Frequency	Package Type
SMRS	-	A3 (Two Terminal)
	in MHz	B3 (Three Terminal)

Example: SMRS-18.43-A3

Packaging: 2000 per Reel

Raltron Electronics/RAMI Technology USA, LLC, including its affiliates, employees, agents and other persons acting on its behalf (collectively Raltron/RAMI Tech), disclaim any and all liability for any errors or inaccuracies contained in this data sheet. While Raltron/RAMI Tech has made every reasonable effort to ensure the accuracy of all product information, specifications and data contained herein, Raltron/RAMI Tech does not guarantee that the information is accurate, reliable or current. The product information is provided for reference purposes only and is subject to change, correction or revision, at any time without notice. Raltron/RAMI Tech does not assume any liability arising out of an application or use of any product described herein and disclaims any warranties expressed or implied. The user of products in such applications shall assume all risks of such use and will agree to hold Raltron/RAMI Tech, harmless against all damages.