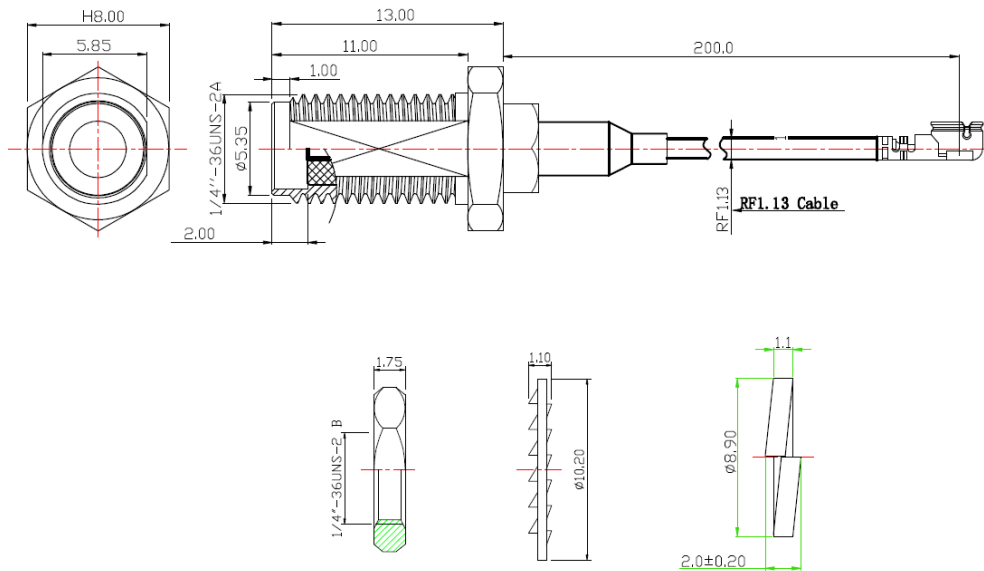



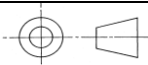
❖ ELECTRICAL SPECIFICATION

PARAMETER	VALUE	UNIT
Working Frequency	DC – 6	GHz
Impedance	50	Ω
VSWR, max	2	-
Working Voltage, max	335	V
Withstand Voltage	750	Vrms
Insulation Resistance	5000	M Ω
Contact Resistance	5	m Ω
Outer Contact, max	2.5	m Ω
Working Temperature Range	-55 ~ +125	$^{\circ}$ C

❖ DIMENSIONS



ITEM	DESCRIPTION	MATERIAL	FINISH
1	IPEX	BRASS	GOLD
2	SMA FEM. BULKHEAD MOUNT CONNECTOR	BRASS	GOLD
3	CABLE COXIAL	1.13	BLACK
4	NUT	BRASS	GOLD
5	WASHER	BRASS	GOLD
6	HEAT SHRINK TUBING	POLYOLEFIN	BLACK

				 A RAMI TECHNOLOGY Company				
Rev	Change	Date	Name			Description IPEX TO SMA JACK CABLE Part Number RCB-16-F-200-12-SD		
Projection		Scale	Date					Name
 Dimensions in mm		--	01.25.2021					AR
		Drawn	01.25.2021	CP	A			
		Checked	01.25.2021	CP				
		Approved	01.25.2021	CP				