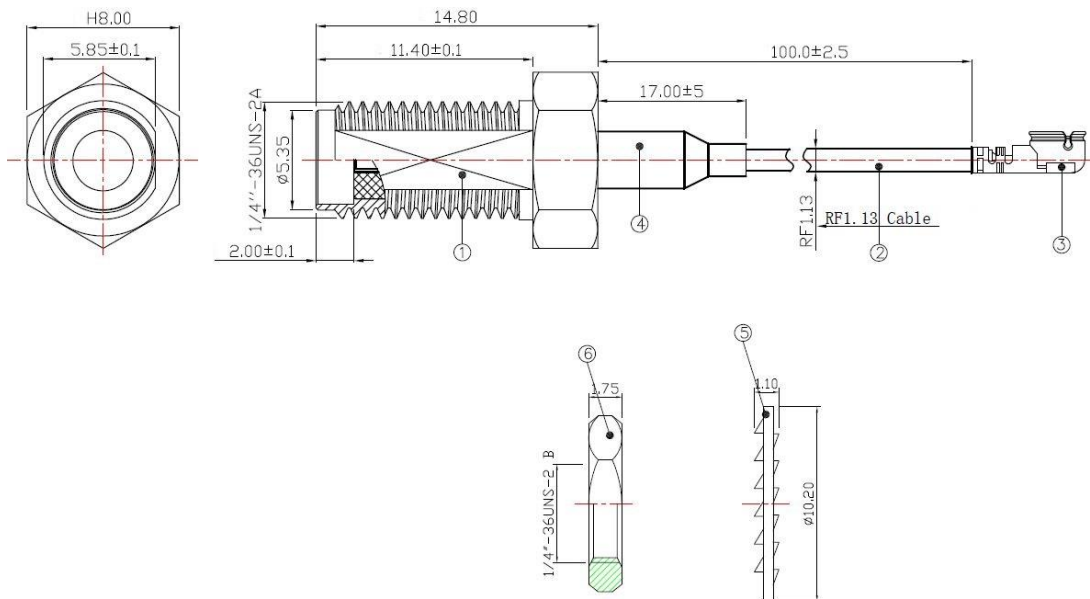



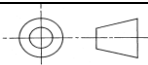
## ❖ ELECTRICAL SPECIFICATION

PARAMETER		VALUE	UNIT
Working Frequency		DC – 6	GHz
Impedance		50	$\Omega$
VSWR, max		2	-
Working Voltage, max		335	V
Withstand Voltage		750	Vrms
Insulation Resistance		5000	M $\Omega$
Contact Resistance	Center Contact	5	m $\Omega$
Outer Contact, max		2.5	m $\Omega$
Working Temperature Range		-55 ~ +125	$^{\circ}$ C

## ❖ DIMENSIONS



ITEM	DESCRIPTION	MATERIAL	FINISH
1	SMA (F) BULKHEAD ST	BRASS	GOLD
2	1.13 COAXIAL CABLE	FEP JACKET	BLACK
3	IPEX MHF1	BRASS	GOLD
4	HEAT SHRINK TUBE	PE	BLACK
5	NUT	BRASS	GOLD
6	WASHER	BRASS	GOLD

				 A RAMI TECHNOLOGY Company			
Rev	Change	Date	Name			<b>Description</b> <b>SMA JACK TO I-PEX FOR 1.13 CABLE</b> <b>Part Number</b> <b>RCB-16-F-100-12-SD</b>	
Projection		Scale	Date				
		--	Drawn	09.16.2021	AR		
Dimensions in mm			Checked	09.16.2021	CP		
			Approved	09.16.2021	CP		
					A		