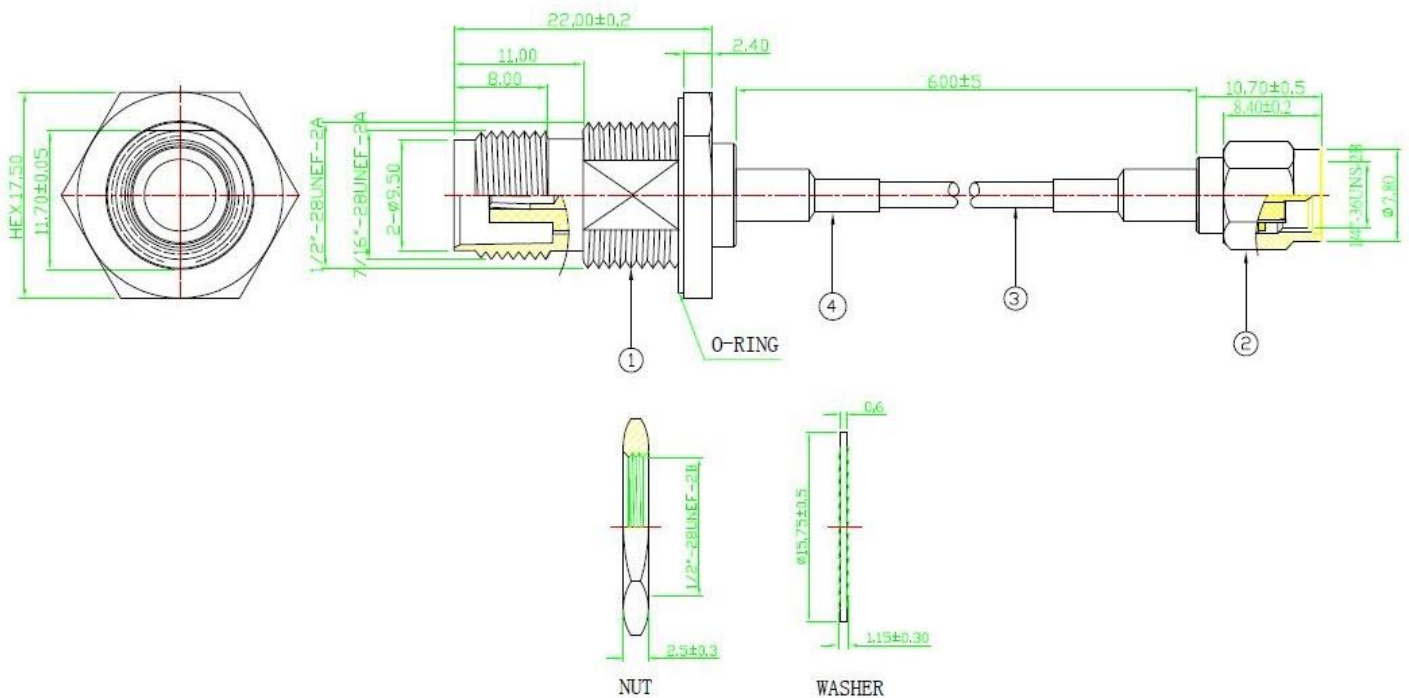




❖ ELECTRICAL SPECIFICATION

PARAMETER	VALUE	UNIT
Working Frequency	DC ~ 6	GHz
Impedance	50	Ω
VSWR, max	1.5	-
Working Voltage, max	500	V
Insulation Resistance, min	5000	Ω
Outer Contact, max	2	Ω
Working Temperature Range	-65 ~ +165	$^{\circ}\text{C}$
TNC Jack Need To Be Waterproof Over IP67		

❖ DIMENSIONS



No.	Description	Material/ Finished
1	IP67 TNC FEMALE	BRASS NICKEL
2	SMA MALE	BRASS GOLD
3	RG316 CABLE	BROWN
4	HEAT SHRINK TUBE	BLACK

Rev	Change	Date	Name	 A RAMI TECHNOLOGY Company
Projection	Scale	Date	Name	
	--	Drawn	05.07.2021 AR	
		Checked	05.07.2021 CP	
		Approved	05.07.2021 CP	
Dimensions in mm				Description TNC JACK S/T FOR RG316 CABLE Part Number RCB-13-J-600-12-SD
				A