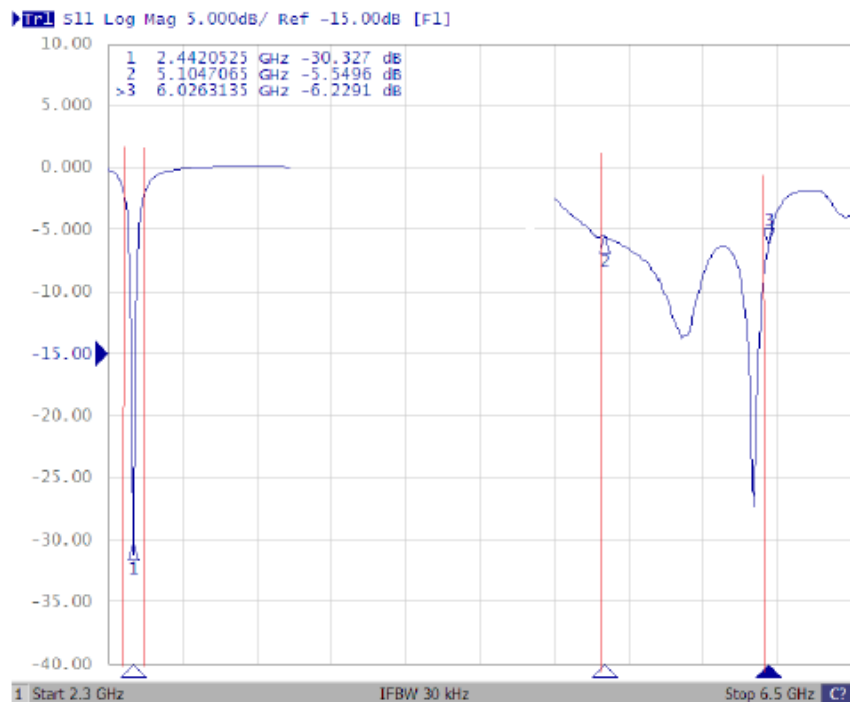


ELECTRICAL SPECIFICATION

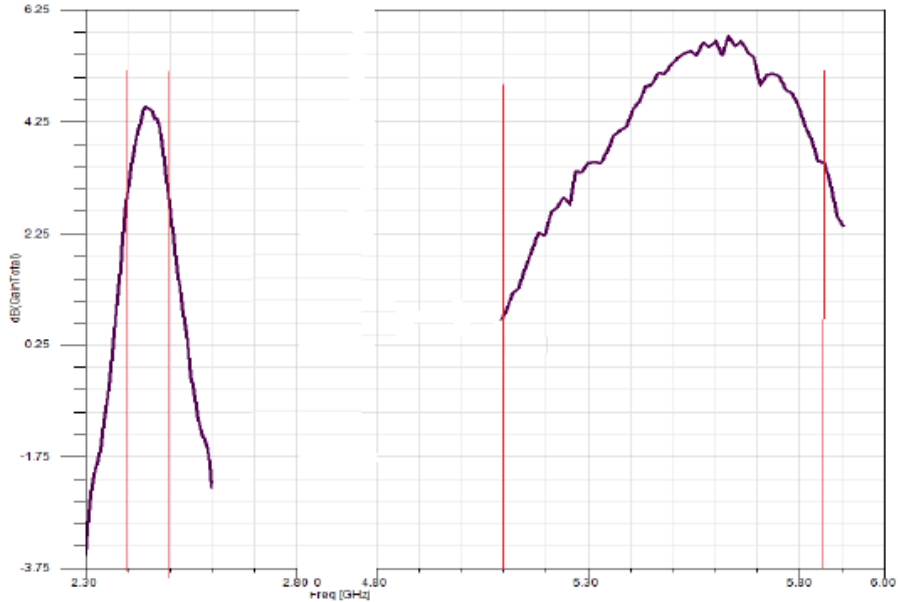
SPECIFICATIONS	SPECIFICATIONS		UNIT
Frequency Range	2400 ~ 2500	5100 ~ 5800	MHz
Return Loss (within 70x70mm GND Plane)	Min: < -19 Edge: <-2	Max: < -5	dB
Efficiency	Max: 80 Edge: 30	50	%
Gain, typ	3	5	dBi
Polarization	Linear		-
Impedance	50		Ω
Frequency Temperature Coefficient	0 \pm 10		ppm/ $^{\circ}$ C
Relative Humidity Range	55 ~ 75		%
Operating Temperature Range	-40 ~ +80		$^{\circ}$ C
Storage Temperature Range	-40 ~ +85		$^{\circ}$ C

10

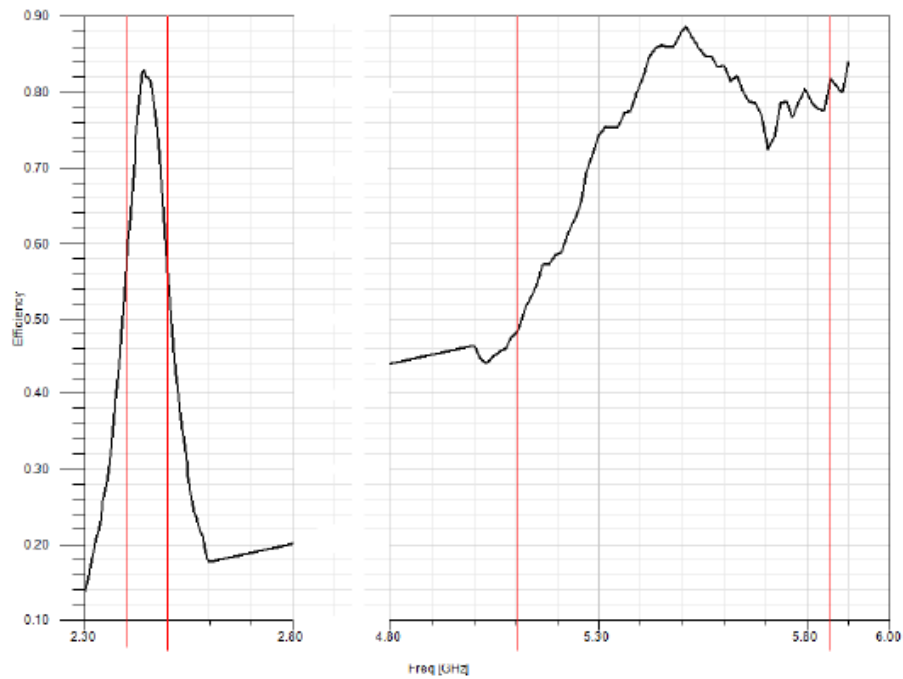
FREQUENCY CHARACTERISTICS



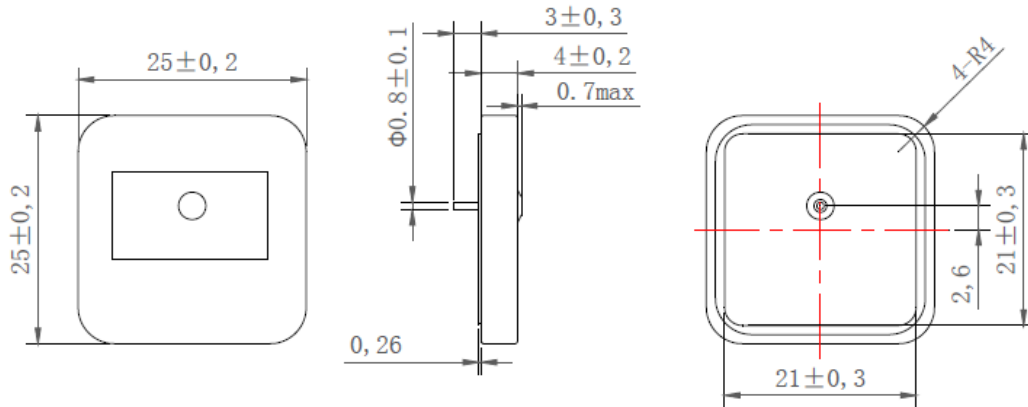
■ PEAK GAIN



■ EFFICIENCY



■ DIMENSIONS



■ APPROVAL

RALTRON	
DRAWN BY:	CP, March 02, 2016
APPROVED BY:	CP, March 02, 2016
REVISION:	A, Initial Release

Raltron Electronics/RAMI Technology USA, LLC, including its affiliates, employees, agents and other persons acting on its behalf (collectively Raltron/RAMI Tech), disclaim any and all liability for any errors or inaccuracies contained in this data sheet. While Raltron/RAMI Tech has made every reasonable effort to ensure the accuracy of all product information, specifications and data contained herein, Raltron/RAMI Tech does not guarantee that the information is accurate, reliable or current. The product information is provided for reference purposes only and is subject to change, correction or revision, at any time without notice. Raltron/RAMI Tech does not assume any liability arising out of an application or use of any product described herein and disclaims any warranties expressed or implied. The user of products in such applications shall assume all risks of such use and will agree to hold Raltron/RAMI Tech, harmless against all damages.