

Electrical Specifications

1. ANTENNA

Parameters	Specification	Unit
Frequency Range	1575.42 ± 1.023	MHz
VSWR, max	1.5	-
Bandwidth, min	5	MHz
Impedance	50	Ω
Gain (based on 70x70mm ground plane)	-3.0	dBic
Polarization	RHCP	-
Operating Temperature Range	-25 ~ +72	°C
Storage Temperature Range	-45 ~ +85	°C

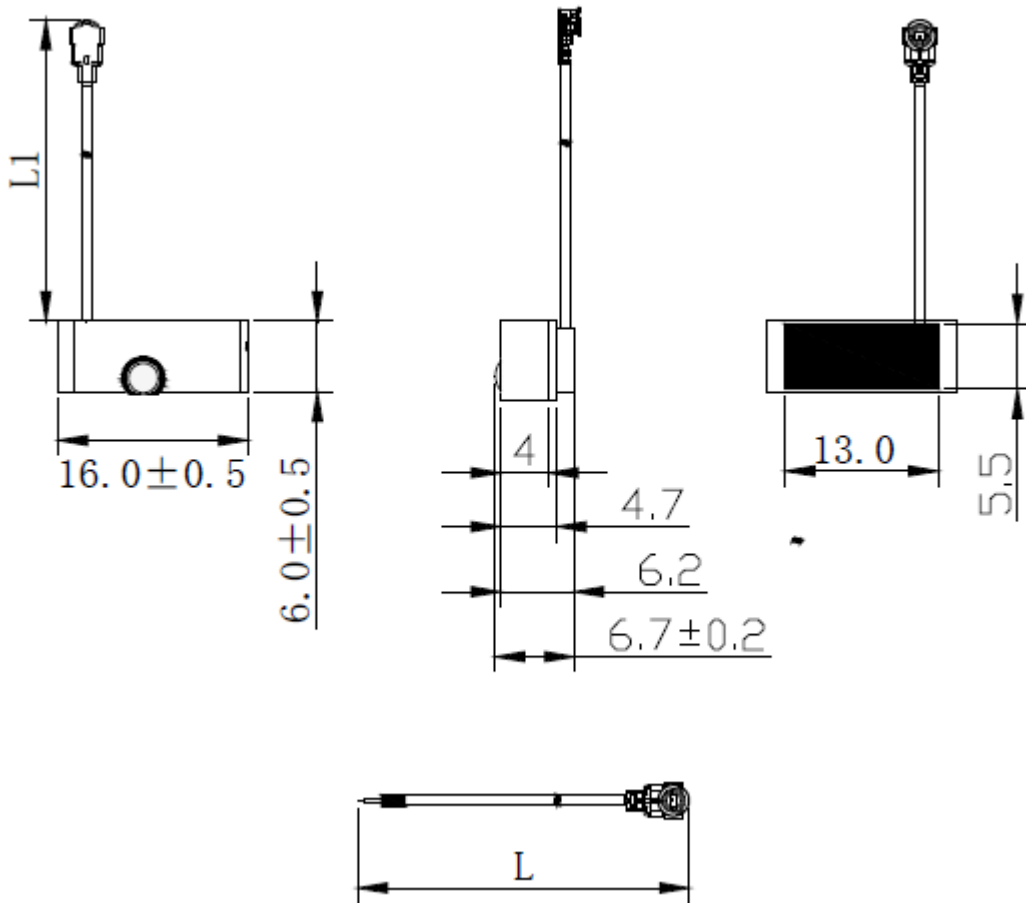
2. LNA

Parameters	Specification	Unit
Frequency Range	1575.42 ± 1.023	MHz
DC Voltage	3.0 ± 0.3	V
Gain	18 ± 3	dB
VSWR, max	1.5	-
Noise Figure, max	1.5	dB
DC Current, typ	3.6 ± 1	mA

Antenna System (Including Cable and Connector)

Parameters	Specification	Unit
Frequency Range	1575.42 ± 1.023	V
VSWR, max	1.5	-
Gain	18 ± 3	dB
Cable Diameter	0.81 ± 0.1	mm
Connector	IPEX	-

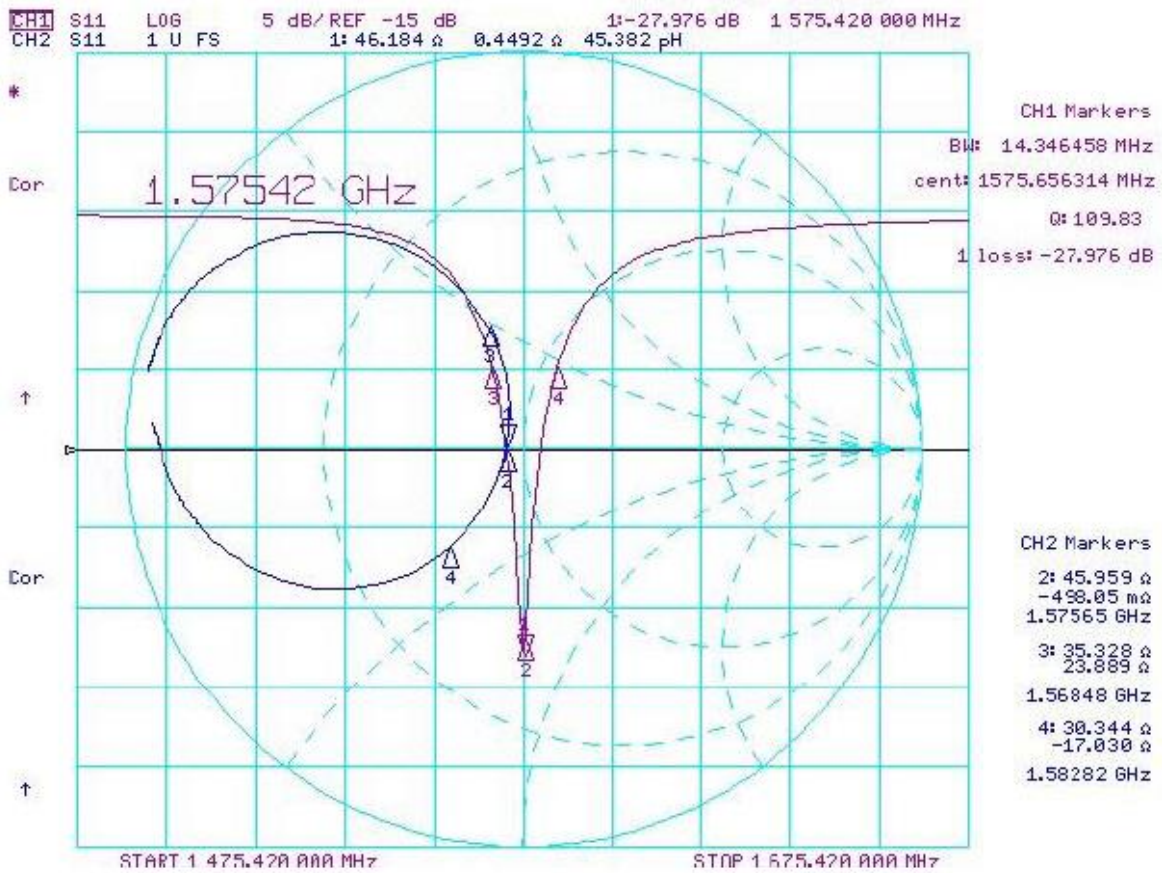
Mechanical Characteristics

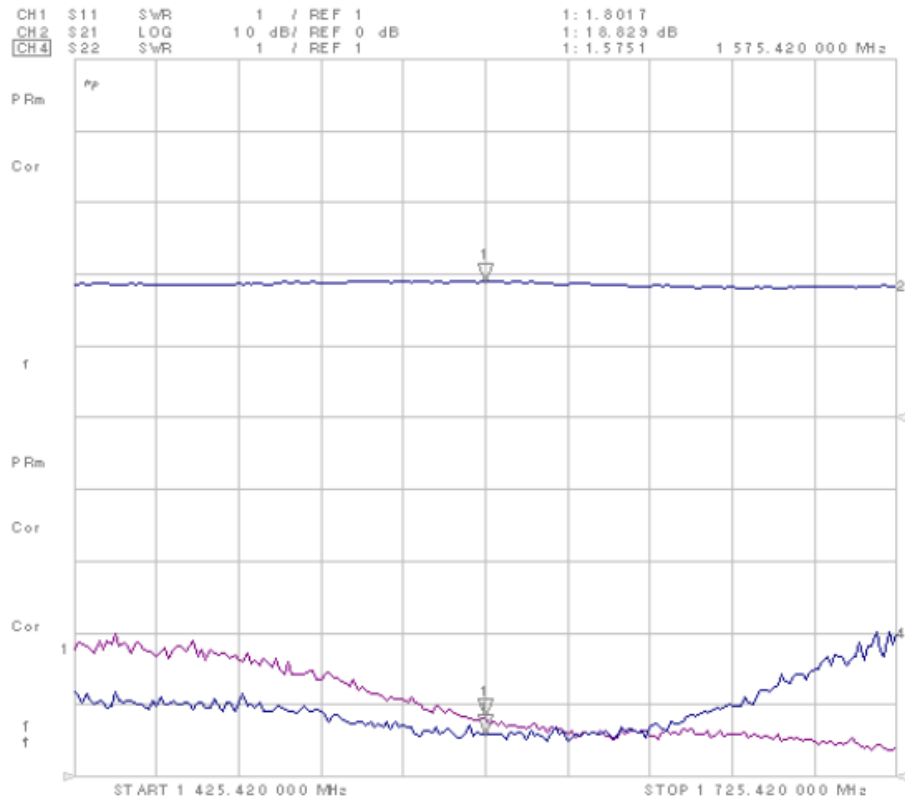


L = 25 ± 2 mm
L1 = 21 ± 2 mm

Frequency Characteristics

ANTENNA TEST CURVE





● **APPROVAL**

DRAWN BY	LP, May 02, 2016
APPROVED BY	CP, May 02, 2016
REVISION	A, Initial Release

Raltron Electronics/RAMI Technology USA, LLC, including its affiliates, employees, agents and other persons acting on its behalf (collectively Raltron/RAMI Tech), disclaim any and all liability for any errors or inaccuracies contained in this data sheet. While Raltron/RAMI Tech has made every reasonable effort to ensure the accuracy of all product information, specifications and data contained herein, Raltron/RAMI Tech does not guarantee that the information is accurate, reliable or current. The product information is provided for reference purposes only and is subject to change, correction or revision, at any time without notice. Raltron/RAMI Tech does not assume any liability arising out of an application or use of any product described herein and disclaims any warranties expressed or implied. The user of products in such applications shall assume all risks of such use and will agree to hold Raltron/RAMI Tech, harmless against all damages.