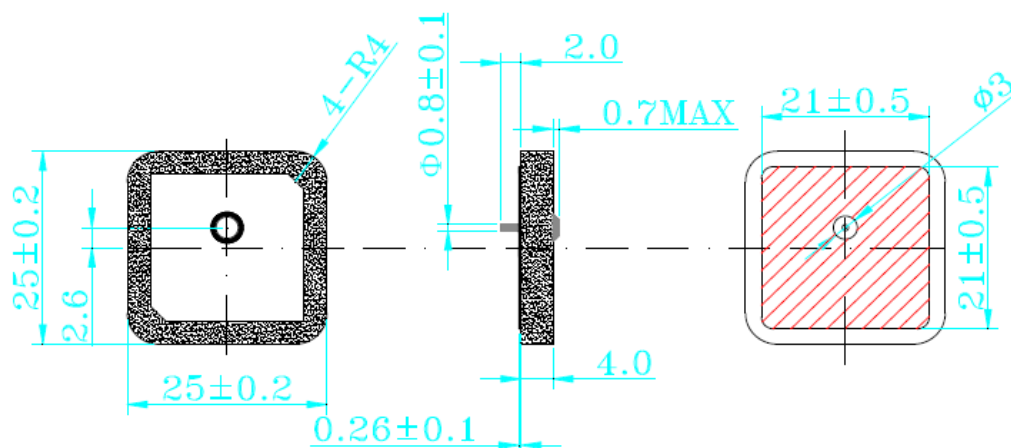


ELECTRICAL SPECIFICATION

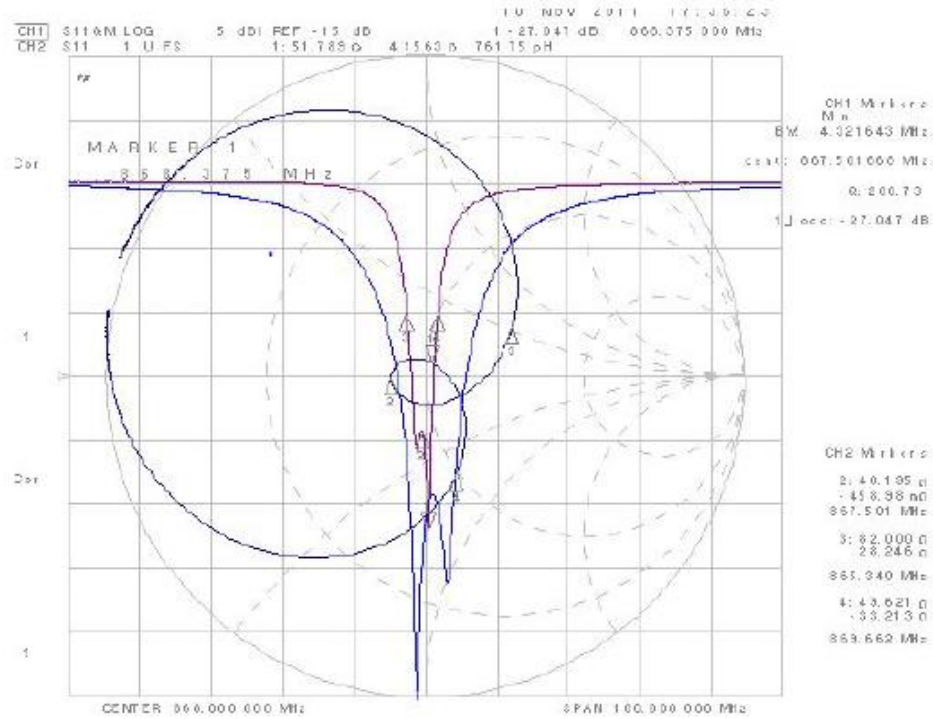
SPECIFICATIONS	SPECIFICATIONS	UNIT
Receiving Frequency Range	865 ~ 868	MHz
Center Frequency	866.5 ± 1.5	MHz
Band Width, min	3.5	dB
Return Loss, max	-10	dB
Input Impedance	50	Ω
VSWR, max	1.3	-
Polarization	Right-Handed Circular	-
Axial Ratio, max	3	-
Gain Zenith, typ	0.5	dB
Frequency Temperature Coefficient	0 ± 10	ppm/ °C

MECHANICAL SPECIFICATION



Tolerance : ±0.3mm

FREQUENCY CHARACTERISTICS



APPROVAL

RALTRON	
DRAWN BY:	CP, January 30, 2016
APPROVED BY:	CP, January 30, 2016
REVISION:	A, Initial Release

Raltron Electronics/RAMI Technology USA, LLC, including its affiliates, employees, agents and other persons acting on its behalf (collectively Raltron/RAMI Tech), disclaim any and all liability for any errors or inaccuracies contained in this data sheet. While Raltron/RAMI Tech has made every reasonable effort to ensure the accuracy of all product information, specifications and data contained herein, Raltron/RAMI Tech does not guarantee that the information is accurate, reliable or current. The product information is provided for reference purposes only and is subject to change, correction or revision, at any time without notice. Raltron/RAMI Tech does not assume any liability arising out of an application or use of any product described herein and disclaims any warranties expressed or implied. The user of products in such applications shall assume all risks of such use and will agree to hold Raltron/RAMI Tech, harmless against all damages.