



#### ■ ELECTRICAL SPECIFICATION

##### GPS ANTENNA

PARAMETERS	VALUE	UNIT
Frequency Range	1561.098 ~ 1606	MHz
Gain	28 ± 2	dB
VSWR, max	2.0	-
Polarization	RHCP	-
Impedance	50	Ω
Noise Figure, max	1.5	dB
Supply Voltage	3 ~ 5	VDC
Current Consumption, max	15	mA

##### LTE MIMO ANTENNA

PARAMETERS	VALUE			UNIT
Frequency Range	698 ~ 960	1710 ~ 2690	2900 ~ 3800	MHz
Gain, typ	4.0			dBi
VSWR, max	2.0			-
Polarization	Linear			-
Impedance	50			Ω

##### WiFi ANTENNA

PARAMETERS	VALUE		UNIT
Frequency Range	2400 ~ 2483.5	4900 ~ 5925	MHz
Gain, typ	4.0		dBi
VSWR, max	2.0		-
Polarization	Linear		-
Impedance	50		Ω

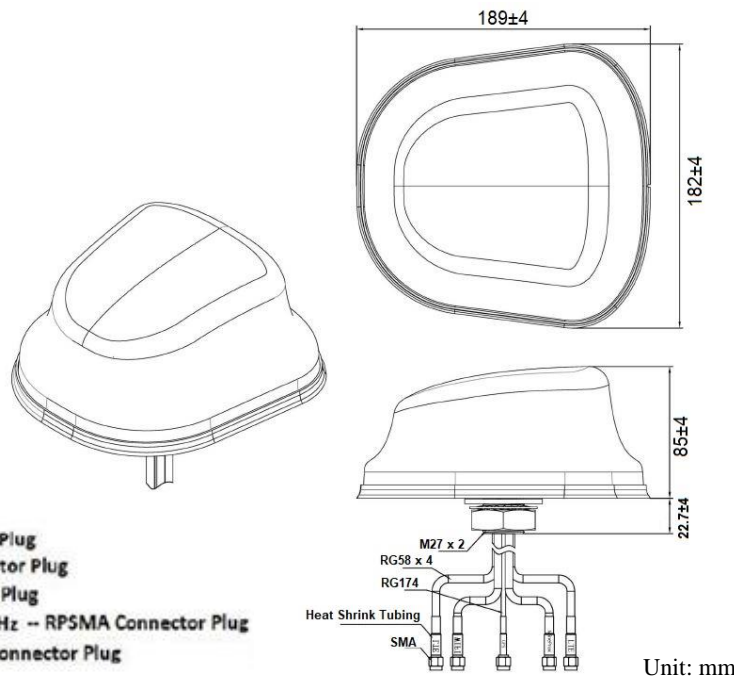
**MineProx ANTENNA**

PARAMETERS	VALUE	UNIT
Frequency Range	806 ~ 960	MHz
Gain, typ	4.0	dBi
VSWR, max	2.0	-
Polarization	Linear	-
Impedance	50	$\Omega$

**MECHANICAL AND ENVIRONMENTAL**

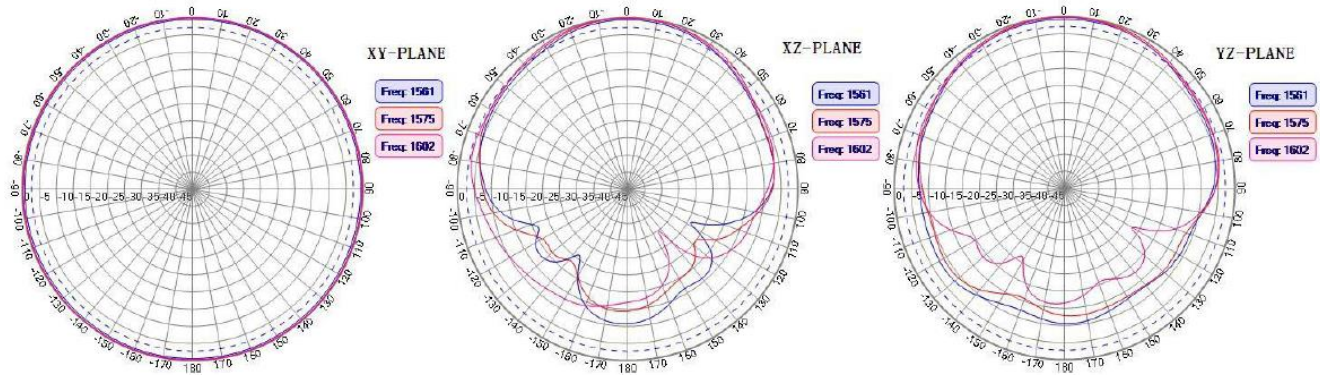
PARAMETERS	VALUE	UNIT
Relative Humidity, max	95	%
Ingress Protection (Exclusive Cable Outlet)	IP67	-
Connector	SMA	-
Cable	Type @ GPS	RG174 x 1
	@ LTE and WIFI	RG58 x 4
	Length	4880
Material	PC / ABS	-
Vibration (With 1.5 mm Amplitude 2 hours)	10 ~ 55	Hz
Mounting Method	Screw	-
Operating Temperature Range	-40 ~ +85	$^{\circ}\text{C}$
RoHS Compliant	YES	-

**■ DIMENSIONS**



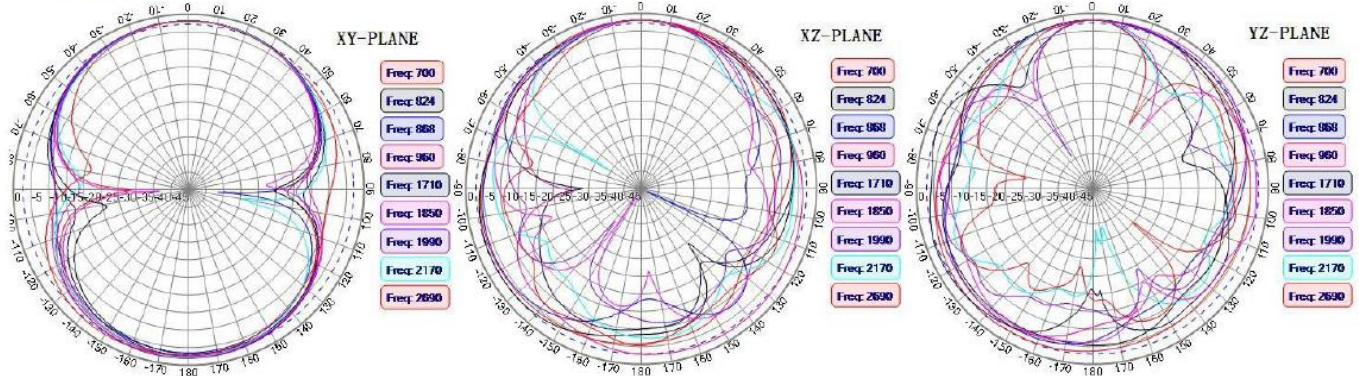
### ■ RADIATION PATTERN

#### GNSS ANTENNA

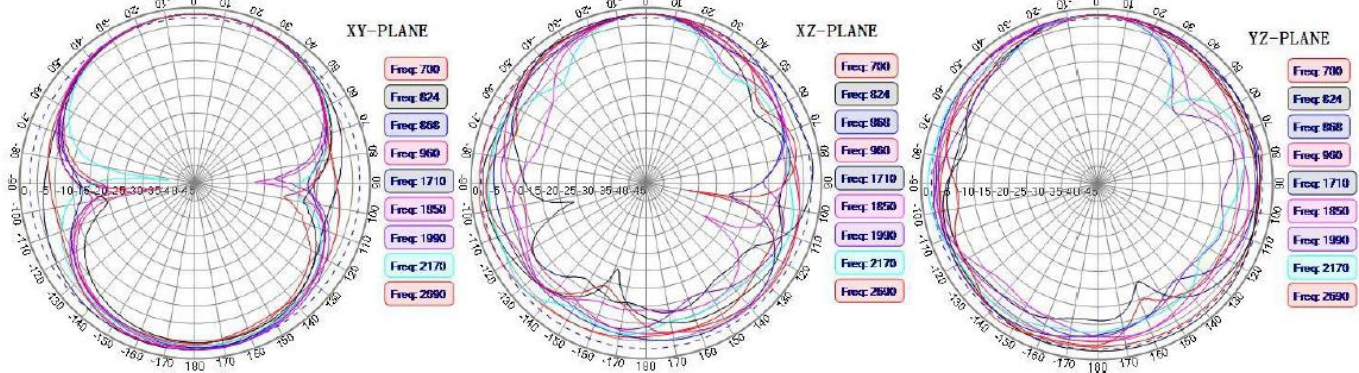


#### LTE ANTENNA

##### LTE -1

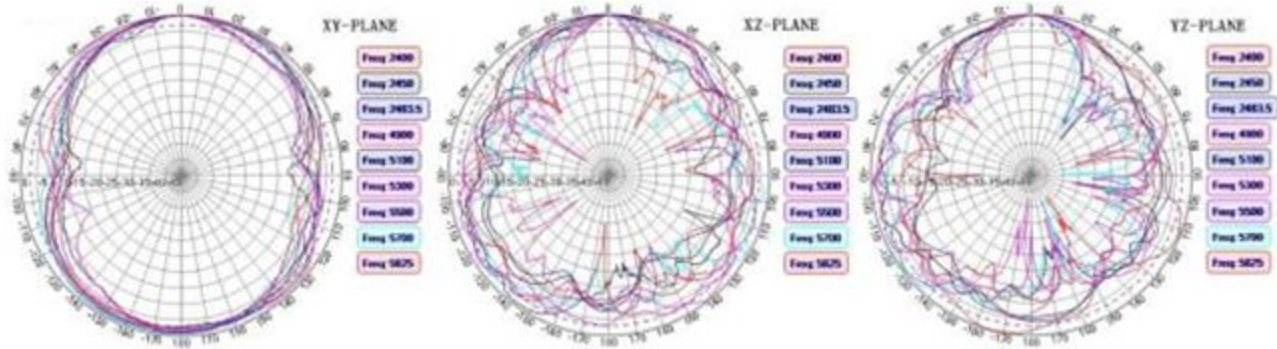


##### LTE -2





#### WiFi ANTENNA



Raltron Electronics / RAMI Technology USA, LLC, including its affiliates, employees, agents and other persons acting on its behalf (collectively Raltron/RAMI Tech), disclaim any and all liability for any errors or inaccuracies contained in this data sheet. While Raltron/RAMI Tech has made every reasonable effort to ensure the accuracy of all product information, specifications and data contained herein, Raltron/RAMI Tech does not guarantee that the information is accurate, reliable or current. The product information is provided only for reference purposes only and is subject to change, correction or revision, at any time without notice. Raltron/RAMI Tech does not assume any liability arising out of an application or use of any product described herein and disclaims any warranties expressed or implied. The user of products in such applications shall assume all risks of such use and will agree to hold Raltron/RAMI Tech, harmless against all damages.

Copyright © 2016, Raltron Electronics / RAMI Technology USA, LLC. All rights reserved. No part of this document may be reproduced in any form without the prior written permission of Raltron Electronics / RAMI Technology USA, LLC.

November 2020