

SERIES RSE H2

● FEATURES

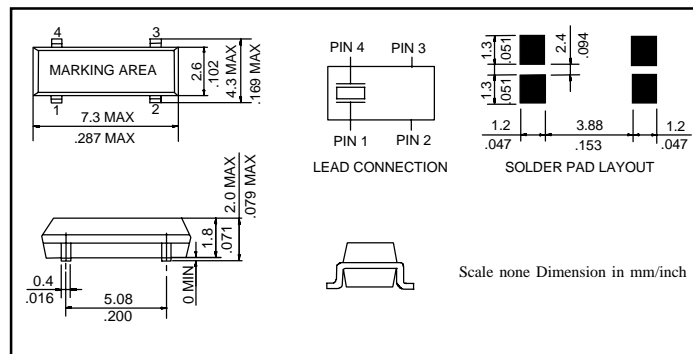
- SUITABLE FOR TIME OF DAY CLOCK APPLICATIONS
- LOW PROFILE 2 mm HEIGHT
- EXCELLENT FOR AUTOMATIC AND HIGH DENSITY SURFACE MOUNTING

● SPECIFICATIONS

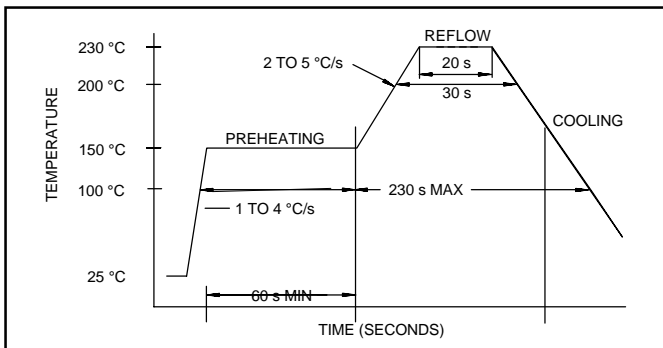
| | |
|------------------------------|--|
| NOMINAL FREQUENCY | 32.768 kHz |
| FREQUENCY TOLERANCE | ±20 PPM MAXIMUM (±50 PPM AND ±100 PPM AVAILABLE) |
| TURNOVER TEMPERATURE | ±25°C ±5 °C |
| TEMPERATURE COEFFICIENT | (-0.035± 0.008) PPM/Δ°C ² |
| LOAD CAPACITANCE | 12.5 pF |
| EQUIVALENT SERIES RESISTANCE | 55 KOHMS MAXIMUM |
| DRIVER LEVEL | 1.0 μW MAXIMUM |
| SHUNT CAPACITANCE | 1.5 pF MAXIMUM |
| AGING (FIRST YEAR) | ±5 PPM MAXIMUM |
| OPERATING TEMPERATURE RANGE | -40°C TO +85°C |
| STORAGE TEMPERATURE RANGE | -55°C TO +125°C |
| SHOCK RESISTANCE | ±5 PPM MAXIMUM 75 cm DROP TEST IN 3 AXES ONTO A HARD SURFACE OR 3000 g x 0.3 ms x 1/2 SINEWAVE IN 3 AXES |
| SOLDER REFLOW CONDITIONS | 230°C MAXIMUM FOR 20s MAXIMUM |



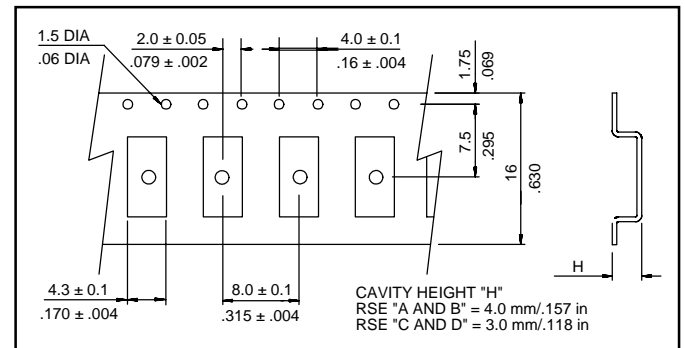
● OUTLINE DRAWING



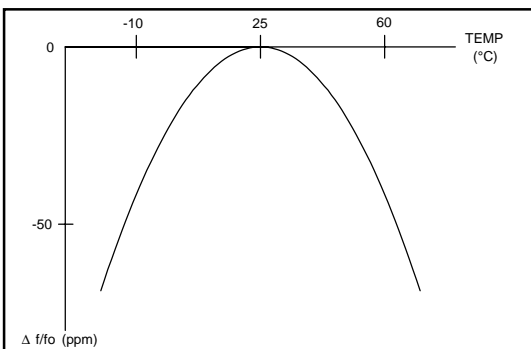
● REFLOW SOLDERING PROFILE



● CARRIER TAPE DIMENSIONS



● FREQUENCY VS. TEMPERATURE CURVE



● PACKAGING

330mm REEL DIAMETER
16mm TAPE WIDTH, 8mm PITCH
QUANTITY: 3000 PIECES PER REEL

● PART NUMBERING SYSTEM

| | | | | |
|-------------|-----------|------------------|----|---------------|
| HOLDER TYPE | FREQUENCY | LOAD CAPACITANCE | H2 | TAPE AND REEL |
| RSE | IN kHz | 12.5 pF | | TR |

EXAMPLE: RSE-32.768-12.5-H2-TR